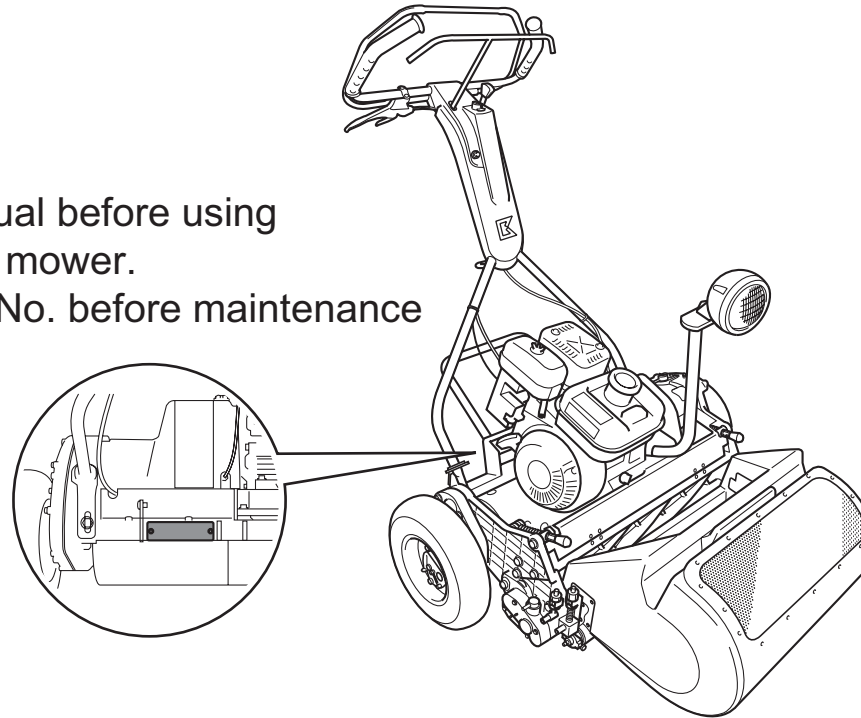


# **LM·56·66**

Greens Mowers

## Owner's operating manual & Parts catalog

Important : Read manual before using  
the greens mower.  
See serial No. before maintenance  
Service.



"Required reading" Read this manual and the owner's manual for the engine before using the machine.

---

BEVATTNINGSTEKNIK AB  
Helsingborgsvägen 578, Varalöv  
262 96 ÄNGELHOLM, SWEDEN

Telefon: +46 431 22250  
Email : [info@bevattningsteknik.se](mailto:info@bevattningsteknik.se) eller [philip@bevattningsteknik.se](mailto:philip@bevattningsteknik.se)  
[www.bevattningsteknik.se](http://www.bevattningsteknik.se)

Introduction.....	2	5. Machine operation.....	14
Safety Guidelines		5-1 <b>⚠ DANGER</b> Before operation.....	14
Safety symbols and their meaning .....	2	5-2 Main clutch lever.....	14
Safe Operating Practices .....	2	5-3 Change lever .....	14
1.Training.....	2	5-4 Hi/Low selector lever .....	14
2.Preparation.....	3	5-5 Position of air adjusting plate .....	14
3.Operation .....	3	5-6 Groomer change lever .....	15
4.Maintenance and Storage .....	4	5-7 Adjustment of handle height.....	15
Important Safety Instructions .....	5	5-8 <b>⚠ WARNING</b> Brake lever.....	15
Wear protective clothing .....	5	5-9 Throttle.....	15
Before operating the mower.....	5	5-10 [IMPORTANT] Adjustment of engine clutch .....	15
Do not operate the mower.....	5	5-11 Clutch cover .....	16
Safe practices: equipment operation .....	5	5-12 Traveling wheel.....	16
Safe practices: equipment operation-Continued.....	5	5-13 Transportation .....	16
Safe practices: mowing.....	6	5-14 [IMPORTANT] Adjustment of mowing height .....	16
Slopes.....	6	5-15 [IMPORTANT] Greasing .....	16
In case of emergency .....	6	5-16 Mowing with bedknife thickness .....	17
Equipment maintenance and storage.....	6	6. Blade adjustment .....	18
The other precautions.....	6	6-1 [IMPORTANT] Lapping .....	18
Roping the machine during transportation.....	6	6-2 [IMPORTANT] Reel to bedknife contact .....	18
Handling Grass Catcher .....	6	6-3 [IMPORTANT] Cam adjustment .....	18
Storage .....	6	6-4 Cylindrical grinding and installation of blade reel cylinder .....	19
Part names .....	7	6-5 [IMPORTANT] Installation of blade reel cylinder.....	19
Location of Labels for LM18G/56G/66T BARONESS USA Models .....	8	6-6 Removal/Installation of the left cover .....	19
Understanding the machine safety labels.....	9	6-7 Attaching/detaching the bedknife base .....	20
Features of LM18G/56G/66T .....	10	6-8 Type and Serial number plate position .....	20
Specifications .....	10	6-9 Specification for maintenance .....	20
Handling .....	11	6-10 Position of mower during maintenance .....	20
1. Assembly and adjustment of main unit .....	11	7. Long-term storage.....	20
1-1 Installing the handle .....	11	8. <b>⚠ CAUTION</b> Precautions for engine operation .....	21
1-2 Installing the stand .....	11	9. Maintenance schedule.....	21
1-3 Operation of brake lever and the brakes .....	11	Baroness Mower Three Year Limited Warranty .....	22
1-4 Operation of clutch .....	11	Parts Catalog.....	23
1-5 Connection of engine switch cord .....	12	101 Reel Cutter & Bedknife .....	24-27
1-6 <b>⚠ CAUTION</b> Installing / removing basket.....	12	102a Front Roller (Without Independent Arm) .....	28,29
2. Inspection before use .....	12	102b Front Roller (For Independent Arm) .....	30,31
2-1 Greasing .....	12	103 Drum Wheel .....	32,33
2-2 Inspection of engine oil .....	12	104 Clutch .....	34,35
2-3 Inspection of wire .....	12	105 Frame & Transmission .....	36-39
2-4 <b>⚠ DANGER</b> Inspection of brake.....	12	106a Handle, Engine & Brake .....	40-43
3. Torque settings .....	12	107 Groomer & De-Thatcher .....	44-47
4. Engine starting sequence.....	13	108 Rotary Brush .....	48,49
4-1 <b>⚠ WARNING</b> Before starting engine .....	13	109a Grass Catcher & Dew Roller .....	50,51
4-2 <b>⚠ CAUTION</b> Starting the engine .....	13	109b Independent Arm Grass Catcher(LM56G).....	52,53
4-3 <b>⚠ CAUTION</b> Stopping the engine.....	13	109c Independent Arm Grass Catcher(LM18G).....	54,55
4-4 <b>⚠ DANGER</b> Fuel supply .....	13	112a Accessories & Tools .....	56,57
4-5 <b>⚠ CAUTION</b> When leaving the machine .....	13	113a Option (Handle, Engine & Brake) .....	58,59

## California Proposition 65

**⚠ WARNING ⚠**

The engine exhaust from this product contains chemicals known to the State of California to cause cancer, birth defects or other reproductive harm.

**Important**

the engine in this product is not equipped with a spark arrester muffler. It is a violation of California Public Resource Code Section 4442 to use or operate this engine on any forest-covered, brush-covered, or grass-covered land as defined in CPRC4126. Other states or federal areas may have similar laws.

## Introduction

Thank you for selecting the Baroness Greens Mower. We are certain you will be pleased with your purchase as you have chosen one of the finest greens mowers on the market. To get the best results from your new mower, it is important that you read the manual carefully. It contains essential information on how to operate and maintain the mower and safety. We also recommend that you read the Three Year Limited Warranty and the Emission Control Warranty to fully understand the coverage and the responsibilities of ownership.

### Purpose

- This machine is intended for cutting grass at golf courses.
- Do not use this machine in any way other than its intended purpose, and do not modify the machine.
- Operating this machine for other purposes and modifying it may be very dangerous and may cause damage to the machine.
- In addition, this machine is not authorized for operation as a special motor vehicle. Do not operate it on public roads.

## Safety Guidelines

Your safety, the safety of others using this equipment, and the safety of bystanders is very important. This cutting machine is capable of causing harm, failure to comply with all safety instructions can result in serious injury.

As you read the manual, you will find information preceded by one of the following symbols. These symbols are intended to call attention to specific safety hazards, point out important safety precautions, and help you avoid damage to your equipment and/or injury to the operator or bystanders. Look for the symbols:

**⚠ DANGER**

Extreme hazard that may cause serious injury or death if you do not follow the warning precautions.

**⚠ WARNING**

Hazard that may cause injury or death if you do not follow the warning precautions.

**⚠ CAUTION**

Hazard that may cause minor or moderate injury or property damage.

## Safe Operating Practices

The following instructions include those from the CEN standard EN 836:1997, ISO standard 5395:1990, and ANSI B71.4-2004.

### 1. Training

- Read the Owner's operating Manual and other training material carefully. Be familiar with the controls, safety signs, and the proper use of the equipment.
- If the operator or mechanic can not read English it is the owner's responsibility to explain this material to them.
- All operators and mechanics should seek and obtain professional and practical instruction. The owner is responsible for training the users.
- Never allow children or people unfamiliar with these instructions to use or service the machine. Local regulations may restrict the age of the operator
- The owner/user can prevent and is responsible for accidents or injuries occurring to themselves, other people, or property.
- Keep in mind that the owner, operator, and mechanic are responsible for accidents or hazards occurring to other people or their property.

## 2. Preparation

---

- Evaluate the terrain to determine what accessories and attachments are needed to properly and safely perform the job. Only use accessories and attachments approved by the manufacturer.
- While operating, always wear substantial footwear, long trousers, hard hat, safety glasses, and ear protection. Long hair, loose clothing, or jewelry may get tangled in moving parts. Do not operate the equipment when barefoot or wearing open sandals.
- Inspect the area where the equipment is to be used and remove all objects such as rocks, toys and wire which can be thrown by the machine.
- Warning—Fuel is highly flammable. Take the following precautions:
  - Store fuel in containers specifically designed for this purpose.
  - Add fuel before starting the engine. Never remove the cap of the fuel tank or add fuel while the engine is running or when the engine is hot.
  - Refuel outdoors only and do not smoke while refueling.
  - If fuel is spilled, do not attempt to start the engine but move the machine away from the area of spillage and avoid creating any source of ignition until petrol vapours have dissipated;
  - Replace all fuel tanks and container caps securely.
- Check that operator's presence controls, safety switches and shields are attached and functioning properly. Do not operate unless they are functioning properly.
- If the brake operation is faulty or the parking brake lever has noticeable play, be sure to adjust or repair them before operating the machine.
- Replace faulty mufflers.

## 3. Operation

---

- Do not operate the engine in a confined space where dangerous carbon monoxide fumes can collect.
- Only operate in good light, keeping away from holes and hidden hazards.
- Before attempting to start the engine, disengage all blade attachments, shift into neutral, and engage the parking brake.
- Start the engine or switch on the motor carefully according to instructions and with feet well away from the blade(s).
- Avoid operating the equipment in wet grass, where feasible.
- Always be sure of your footing on slopes.
- Walk, never run.
- Look behind and down before backing up to be sure of a clear path.
- Remember there is no such thing as a safe slope. Travel on grass slopes requires particular care. To guard against overturning.
  - Do not mow excessively steep slopes.
  - Do not stop or start suddenly when going up or downhill.
  - Engage clutch slowly, always keep machine in gear, especially when traveling downhill;
  - Machine speeds should be kept low on slopes and during turns.
- Never operate the machine with damaged guards, shields, or without safety protective devices in place. Be sure all interlocks are attached, adjusted properly, and functioning properly.
- Do not change the engine governor settings or overspeed the engine. Operating the engine at excessive speed may increase the hazard of personal injury.
- Do the following before leaving the operator's position:
  - stop on level ground;
  - disengage the cutting unit and traction drive;
  - set the parking brake;
  - stop the engine.

- Stop the engine:
  - before refuelling;
  - before removing the grass catcher;
  - before making height adjustment unless adjustment can be made from the operator's position;
  - before clearing blockages;
  - before checking, cleaning or working on the machine.
  - whenever you leave the machine;
  - after striking a foreign object or if an abnormal vibration occurs. Inspect the machine for damage and make repairs before restarting and operating the equipment;
- Keep hands and feet away from the cutting units and the rotating parts.
- Never pick up or carry a lawnmower while the engine is running.
- Never operate while people, especially children, or pets are nearby.
- Slow down and use caution when making turns and crossing roads and sidewalks.
- Stop the blades rotating before crossing surfaces other than grass.
- Disengage drive to attachments when transporting or not in use.
- When using any attachments, never direct discharge of material toward bystanders nor allow anyone near the machine while in operation.
- Do not operate the machine under the influence of alcohol or drugs.
- Take care when loading or unloading the machine into a trailer or a truck. Load or unload the machine in a flat and safe place. Before loading or unloading, set the parking brake on the truck or trailer, stop the engine, and chock the wheels.
- When transporting the machine on a truck or a trailer, set the parking brake, stop the engine, and fasten the machine to the truck with a rope or other suitable restraining device that has sufficient strength.
- When using a running board, select one with sufficient strength, length, and width and that will not cause the machine to slip.
- Close the fuel valve before transporting the machine.
- Use care when approaching blind corners, shrubs, trees, or other objects that may obscure vision.
- Do not take your eyes off the road ahead. Do not operate the machine with no hands.
- Reduce the throttle setting during engine run-out and, if the engine is provided with a shut-off valve, turn the fuel off at the conclusion of operation.

## 4. Maintenance and Storage

---

- Disengage drives on level ground, lower the attachments, set parking brake, stop engine and disconnect spark plug wire. Wait for all movement to stop before adjusting, cleaning or repairing.
- To reduce the fire hazard, keep the engine, silencer/muffler, compartment fuel storage area, cutting units and drives free of grass, leaves, or excessive grease. Clean up oil or fuel spillage.
- Allow the engine to cool before storing in any enclosure.
- Only cover the machine with a sheet after hot parts have sufficiently cooled down.
- Never store the equipment with fuel in the tank inside a building where fumes may reach an open flame or spark.
- If the engine is provided with a shut-off valve, shut off valve while storing or transporting.
- Do not store fuel near flames.
- Never allow untrained personnel to service machine.
- Allow the engine / muffler to cool before checking / maintenance.
- Appropriately manage and correctly use the tools necessary for servicing or adjusting the machine.
- Use jack stands to support components when required.
- Carefully release pressure from components with stored energy.
- Exercise sufficient care in safety when checking the reel cylinder and bedknife.
  - Wear gloves surely.
  - Exercise sufficient care during adjustment of the blade engagement to avoid getting the fingers caught between the reel cylinder and bedknife.
- Keep hands and feet away from moving parts. If possible, do not make adjustments with the engine running.
- Keep all parts in good working condition and all hardware tightened. Replace all worn or damaged decals.
- Keep all nuts, bolts and screws tight to be sure the equipment is in safe working condition.
- Check the grass catcher frequently for wear or deterioration
- If the fuel tank has to be drained, do this outdoors.

# Important Safety Instructions

Most accidents with walk behind mowers can be prevented if you follow all instructions in this manual and those posted on the greens mower. The most common hazards are discussed in the following sections, along with the best way to protect yourself and others.

## Wear protective clothing

- It will reduce your risk of injury. Long pants, safety glasses, hard hats, gloves, ear protection, and sturdy shoes help protect you from thrown objects and other hazards.

## Before operating mower

- Look for signs of oil or gasoline leaks.
- Look for signs of damage.
- Check each control for proper operation.
- Check all connectors such as nuts, bolts, and screws to be sure they are properly tightened.
- Check the blades for wear. Replace as necessary.
- Check that all tires, levers, and brakes are functional.
- Always inspect the machine before operation. Be sure hardware is tight. Repair or replace damaged, badly worn, or missing parts.
- Inspect guards and shields to be sure they are in good condition and fastened in place.
- Use only attachments or accessories approved by the manufacturer.

## Do not operate the mower

- If you are extremely tired, either physically or mentally.
- If you are sick, under the influence of medication or substances that may affect your vision or good judgment. Impaired judgment can result in serious injury.
- If you are not properly trained. CAREFULLY READ THE MANUAL. Greens mower operation requires skill, training, and experience.
- Never permit operation by a minor.

## Safe practices: equipment operation

- For your safety and the safety of others, inspect your work area before operating the mower.
- Review Important Safety Instructions.
- Even if you have operated other mowers, take time to become familiar with the way this mower works. Practice in a safe area until you build up your skills.
- Avoid starting or operating the engine in an enclosed area. The mower's exhaust contains poisonous carbon monoxide gas which can collect rapidly in an enclosed area and cause illness or death.
- Operate the engine at normal speed. Never change the engine governor setting to permit excessive speed.

## Safe practices: equipment operation - Continued

- Before starting the engine, disengage the change lever from the reel "on position," shift into neutral, and engage the parking brake.
- When using any attachment, never direct discharge of material toward bystanders. Do not allow anyone near the machine while it is in operation.
- Disengage drive to attachments when they are not in use.
- If you feel abnormal vibration or hear abnormal sound, stop the engine immediately and inspect the mower for possible damage. Make necessary repairs before restarting and operating the equipment.
- Operate mower at low speed when making sharp turns or descending slopes. Avoid sudden stops and starts.
- If you strike an object, stop and inspect your equipment. If necessary, repair before restarting.
- Never attempt to make any adjustment while the engine is running.
- Let the engine and exhaust system cool before touching.
- When equipment is in questionable condition, do not run the engine unless instructed to do so.
- For safety, the grass basket must be in place during operation of the wheel. Turn off the engine before removing the basket.
- Do not wear headphones or ear plugs while operating the greens mower. Wear only appropriate ear protection.
- Use care when loading or unloading the greens mower onto or off a trailer or truck.
- Use good judgment to protect yourself from back injury.

### Safe practices: mowing

- Mow only in daylight or when the area in which you are operating is clearly visible. If you have a factory light kit fitted to your mower, ensure that you use extreme caution when operating in low visibility and take extra care when turning and operating this machine.
- Make certain that the entire machine is seated on the ground, and be careful not to lose your footing and your control of the mower. Keep a firm grip on the handle bar and walk, never run, with the mower.
- If the mower becomes stuck, do not kick or shove it with your foot. NEVER use your hand or finger to remove the stuck debris while the engine is running. Stop the engine before performing any adjustment, inspection, or maintenance.

### Slopes

- When greens are severely undulating or sloped, mow with additional caution. Avoid slopes of more than 20° and be careful when changing direction. Mowing on a slope when the grass is damp or wet could cause you to slip, fall, and lose control of the mower.

### In case of emergency

- Turn engine OFF. Do not smoke. Follow your company's emergency procedures.
- Keep hands away from moving parts.
- Do not make adjustments with the engine running.

### Equipment maintenance and storage

- Keep equipment in good condition.
- Be sure all connectors are properly installed and that nuts and bolts (especially the blade attachment bolt) are tight.
- Never tamper with safety devices. Check their proper operation regularly.
- Keep machine free of grass, leaves, and other debris build-up. Clean any oil or fuel spillage promptly. Allow machine to cool before storing.
- Mower parts are sharp and can cause injury. When checking or servicing cutting units, wrap the blades or wear gloves, and be extremely careful.
- Do not change the engine governor setting or over-speed the engine.
- Never store the machine or fuel container near: 1) an open flame or pilot light such as found in water heaters and other appliances, or 2) appliances such as room heaters that give off excessive heat when in use.

## The other precautions

### Roping the machine during transportation

- Do not rope the engine. Roping on the filler neck of fuel tank or air cleaner etc. can cause the engine breakage.
- Exercise care in roping to avoid wires entanglement. Roping, entangled with a wire, can cause the wire breakage.

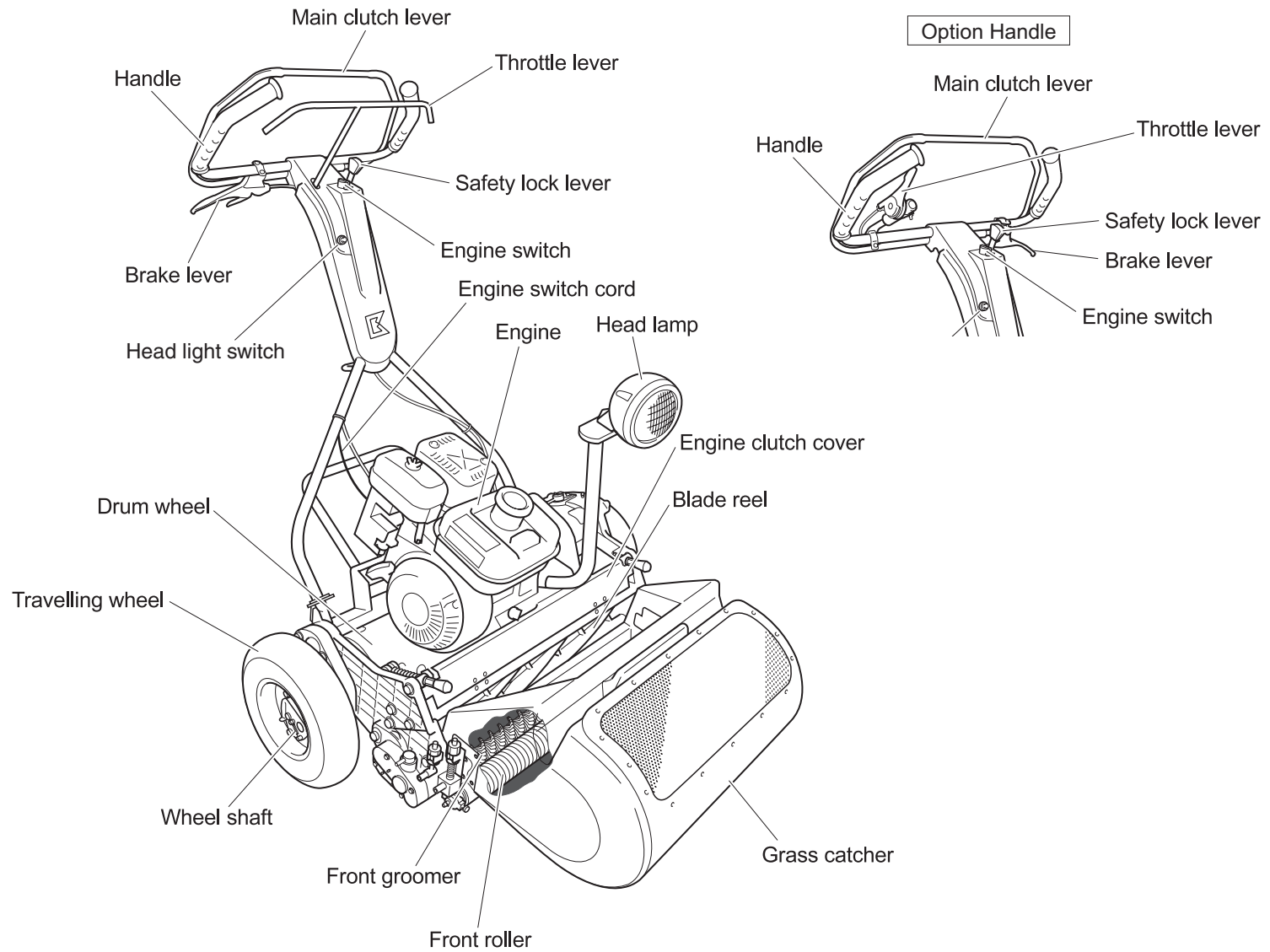
### Handling Grass Catcher

- The grass catcher is made of plastic. Weather and/or direct sunlight accelerate deterioration.
- High impact such as slamming the grass catcher on the ground for discharging clippings can cause its breakage. Do not make an impact on it.

### Storage

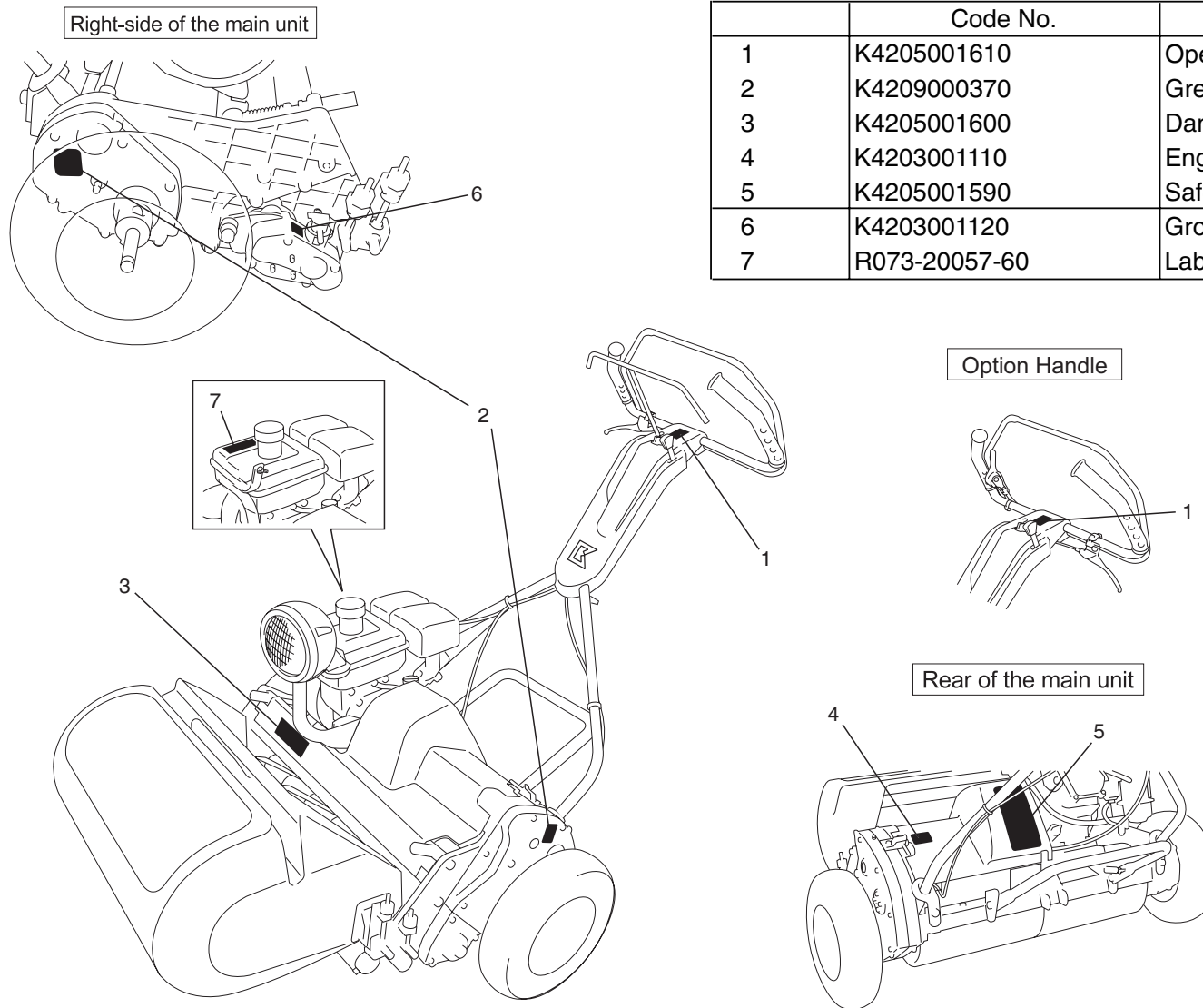
- In the case of covering the machine with a sheet etc., wait until the engine cools down.
- In the case of storing the machine, store it on the condition of avoiding weather and/or direct sunlight. (Weather and/or direct sunlight accelerate corrosion and/or deterioration and decrease machine life.)
- Be sure to empty the fuel tank if the machine is not used for more than six months.

# Part names





## Location of Labels for LM18G/56G/66T BARONESS USA Models



	Code No.	Part Name	Qty/Unit
1	K4205001610	Operator warning label	1
2	K4209000370	Greasing 10-hour label	1
3	K4205001600	Danger label	1
4	K4203001110	Engage Selector Label	1
5	K4205001590	Safety instructions label	1
6	K4203001120	Groomer indication label	1
7	R073-20057-60	Label (warning)	1

## Understanding the machine safety labels

①



Use only unleaded gasoline.

⑤



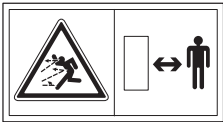
Stop the engine and wait for moving parts to stop.

②



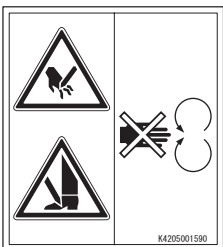
Read the owner's manual.

③



Keep a safe distance from the machine.

④



Do not open or remove safety shields while engine is running

## Features of LM18G/56G/66T

- Among the lightest greens mowers of all models of this class.
- The weight balance and undulation following performance have been improved for better greens mowing.
- The newly-designed handle improves the operability, lessening the operator's fatigue.
- The structure of the clutch has been changed for smooth starting.
- The front groomer operates in both normal and reverse rotation.

Model		LM18G	LM56G	LM66T
Front groomer	Working width	16.4 in. (41.8cm)	20 in. (51cm)	23.6 in. (60cm)
	Number of Blades	64	78	92
Dethatching Reel	Working width	16.2 in. (41.1cm)	20 in. (51cm)	23.6 in. (60cm)
	Number of Blades	32	39	46
Rotary Brush	Working width	15.3 in. (38.9cm)	19.3 in. (49cm)	22.4 in. (57cm)
	Turning Diameter	2.4in. (6cm)	2.4in. (6cm)	2.4in. (6cm)

## Specifications

Model		LM18G	LM56G	LM66T
Length (with grass catcher)		54.5 in. (138.5cm)	55.3 in. (140.5cm)	
Width (without travelling wheels)		33.1 in. (84.2cm)	37 in. (94.2cm)	40 in. (103cm)
Height (handle)		45.2in. (114.7 cm)		
Mowing weight	no groomer	211 lbs. (97.5kg)	202 lbs. (93.3kg)	214 lbs. (98.8kg)
	fully optioned	218 lbs. (100.8kg)	236 lbs. (108.8kg)	223 lbs. (102.8kg)
Mowing section	Mowing width	18 in. (45.6cm)	22 in. (55.6cm)	26 in. (64.6cm)
	Reel diameter	5.04 in. (ø 12.8cm)		
	Number of reel blades	11	9(option), 11	7, 9, or 11
	Cutting height (min.~ max.)	0.08 in.~1.14 in. (2.0mm~28.5mm)		
	Effective cutting height (min. ~ max.)	*0.10 in.~0.35 in. (2.5mm~9mm)	*0.10 in.~1.06 in. (2.5mm~27mm)	
	Speed (km/h)	4.8 km/h (3 mph) @3,000 rpm		
Engine		SUBARU EX13D 3.2 kW (4.3 hp) / 4,000 rpm		

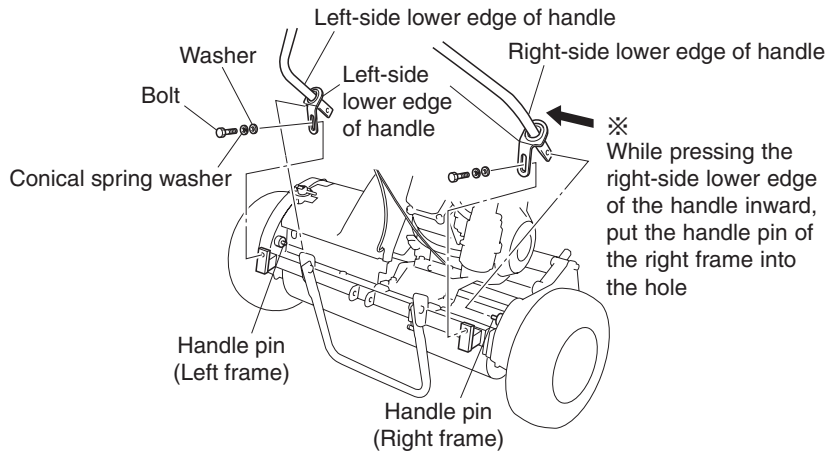
\* When equipped with 1.5 mm bedknife.

# Handling

## 1. Assembly and adjustment of main unit

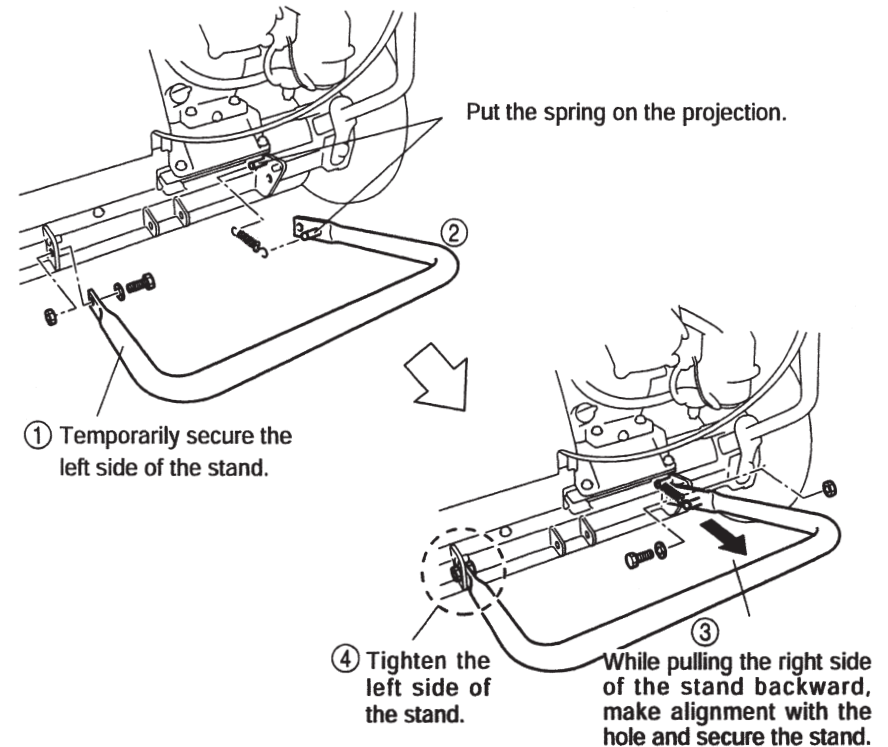
### 1-1 Installing the handle

- 1) Put the handle pin on the left frame into the hole at the left-side lower edge of the handle.
- 2) While pressing the right-side lower edge of the handle inward, put the handle pin of the right frame into the hole.
- 3) Secure the lower edge (slotted section) of the right and left handles to the frame from the back with the bolt, conical spring washer, and washer.



### 1-2 Installing the stand

- 1) Temporarily secure the left side of the stand to the frame with the bolt, washer (inside), and nut (outside).
- 2) Put the spring on the projection of the frame and the projection at the right edge of the stand.
- 3) While pulling the right side of the stand backward, make alignment with the hole in the frame, and secure the stand with the bolt, washer (inside), and nut (outside).
- 4) Tighten both bolts but ensuring that there is some space between the head of the bolt, washer, and stand. Finally lock the bolts into adjustment with the 2 nuts supplied, ensure that the rounded side of the nut faces out.



### 1-3 Operation of brake lever and the brakes

Check that when the brake is engaged and the lever is locked that mower will not move back or forward, Ensure that once the brake lever has been released that there is no friction between brake drum and brake pads.

### 1-4 Operation of clutch

When adjustment is necessary, make adjustment according to “5-10. [Important] Adjustment of engine clutch section.”

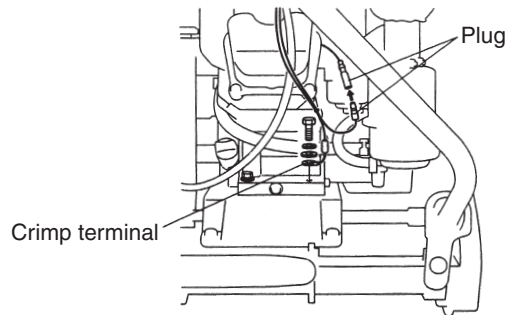
### 1-5 Connection of engine switch cord

When assembling the handle, check the connection of the engine switch cord. There are two connections - plug and crimp terminal.

1) The plug is connected to the plug that is connected to the engine.

#### ⚠ WARNING

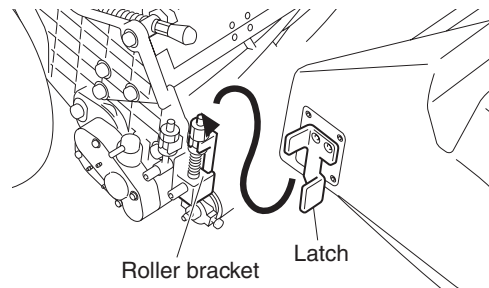
2) The crimp terminal is secured to the engine crankcase with a hexagon bolt. When the connection of the engine switch cord is incomplete, the engine will not stop even if the engine switch is operated. Check that the cord is correctly connected.



### 1-6 ⚠ CAUTION Installing / removing basket

Before installing / removing basket, keep machine stop.

When installing basket, hang the side latches (right & left) of basket on the roller brackets. When removing basket, raise the basket up to disengage side latches (right & left) from the roller brackets.



## 2. Inspection before use

### 2-1 Greasing



10h

The transmission and intermediate transmission gears are equipped with needle bearings. Grease them every 10 hours. Shortage of grease will cause damage to the needle bearings.

### 2-2 Inspection of engine oil

Replenish the engine with engine oil. (A correct level will be shown when the engine is placed horizontally.) Change engine oil 8 hours after the initial operation, and every 50 hours from the second time onward. Oil : SAE30.

### 2-3 Inspection of wire

Check and lubricate clutch /brake /throttle /wires at weekly intervals, and visually check for fraying as this can effect operation abilities on this machine.

### 2-4 ⚠ DANGER Inspection of brake

Inspect whether the brake functions completely.

When need to adjust brake, according to "5 - 8 Brake lever" to adjust it.

## 3. Torque settings

Bolts and nuts may become loose due to vibration in initial period of operation. Check that all bolts are fastened to recommended torque requirements.

### Appropriate fastening torque Lbf

	Normal bolt	Heat treated bolt
M6	70 Lbf	
M8	156 Lbf	313 Lbf
M10	313 Lbf	625 Lbf
M16	1.5 pitch left-hand thread: 313 Lbf	

## 4.Engine starting sequence

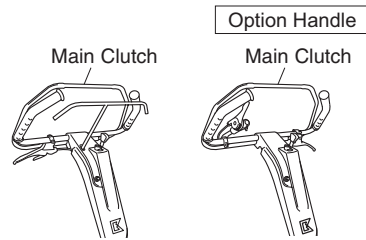
### 4-1 **⚠WARNING** Before starting engine

Carefully read the gasoline engine operation manual before starting the engine. The handle cover is equipped with an engine switch. Check the “ON/OFF” positions. Set the engine switch lever in the ON position, set all moving parts in the neutral position.

For safety purpose ensure, covers are in position and not damaged and there is no person around the machine before starting the engine. Do not start the engine indoors without an appropriate ventilation.

### 4-2 **⚠CAUTION** Starting the engine

1) Do not grip the main clutch.



2) Set the engine switch in the ON position.



3) Set the fuel lever in the open position.



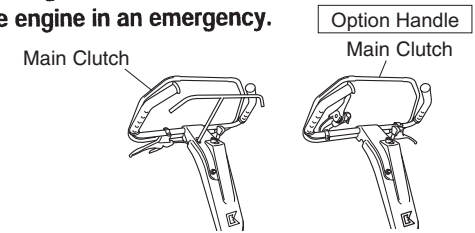
4) Engage the choke lever and pull the recoil starter, and the engine will start. Ensure not to release starter handle at extended position, as returning handle could potentially damage essential carburetor components.

5) Once engine has started, slowly return choke lever to OFF position.

### 4-3 **⚠CAUTION** Stopping the engine

※Remember the method for stopping the engine in an emergency.

1) Do not grip the main clutch .



2) Set the engine switch in the OFF position.



3) Set the fuel valve in the close position.



4) Set the engine switch in the OFF position immediately in an emergency.

### 4-4 **⚠DANGER** Fuel supply



- Keep flames or ignited sources, away from the engine when supplying fuel. Stop the engine outdoors and allow it to cool before supplying fuel.
- Keep the machine clean at all times to prevent deposition of dust, grease, or oil

### 4-5 **⚠CAUTION** When leaving the machine

- Park the machine on a flat surface.
- Check that the engine has stopped and the engine switch and fuel valve are “OFF.”
- Do not park the machine on a slope. Ensure park brake is engaged.

## 5. Machine operation

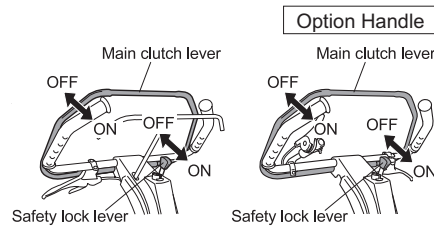
### 5-1 **⚠ DANGER** Before operation

- Check that each portion - especially the brake and clutch - operates satisfactorily before starting machine operation.
- Make sure that the machine can be stopped immediately at any time.
- Exercise care so that you and people around the machine will not be injured.

### 5-2 Main clutch lever

Avoid quick operation. Carefully and slowly operate the machine.

※ Grip the clutch, to engage the travelling drive and the machine will begin to move forward.



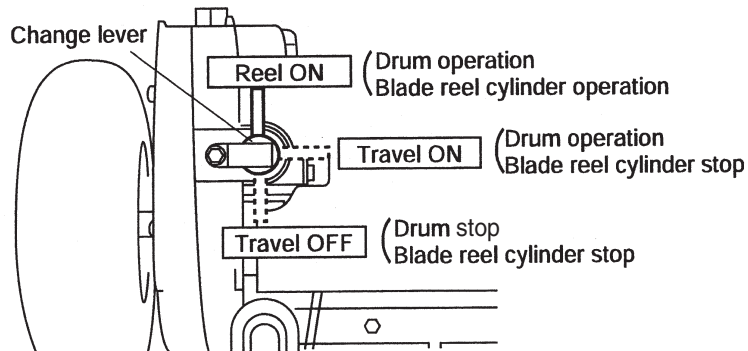
### 5-3 Change lever

The change lever is at the top of the left frame.

There are three changeover positions. When the lever is in the "Reel ON" position, the drum and reel operate, entering the mowing mode.

When the lever is in the "Travel ON" position, only the drum operates, entering the traveling mode.

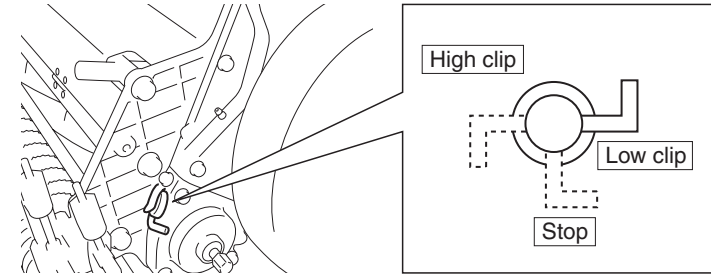
When the lever is on the "Travel OFF" position, both drum and reel stop, this allows for easy maneuverability while engine is turned off.



### 5-4 Hi/Low selector lever

The lever is on the lower front portion of the left cover of the left frame.

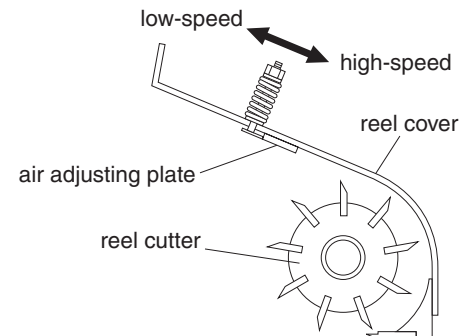
There are three changeover positions - "High clip frequency", "Rotation stop", "Low clip frequency". Change the positions according to the type of work.



### 5-5 Position of air adjusting plate

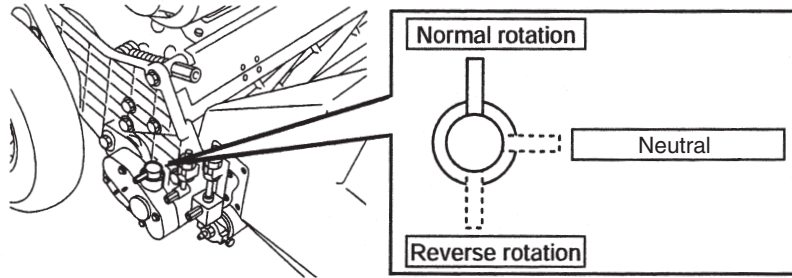
The air adjusting plate is on the reel cover when the clutch cover is removed.

The air adjusting plate is to adjust the condition of grass scattering. Move the air adjusting plate towards the reel cutter when cutting in high-speed rotation and move the air adjusting plate away from the reel cutter when cutting in low-speed rotation.



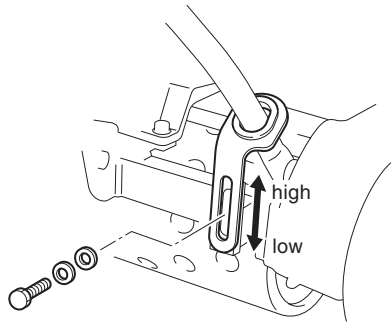
### 5-6 Groomer change lever

The lever is at the top of the groomer gear case on the outside of the right frame. There are three changeover positions - "Normal rotation" (in the same direction as the rotating direction of the blade reel cylinder), "Rotation stop," and "Reverse rotation" (in the direction opposite to the direction of rotation of the blade reel cylinder). Change the positions according to the type of work.



### 5-7 Adjustment of handle height

Move the securing bolt up and down in the slot of the handle guide, which is securing the handle to the frame, in order to adjust the height of the handle according to the operator's working position.



### 5-8 **⚠️WARNING** Brake lever

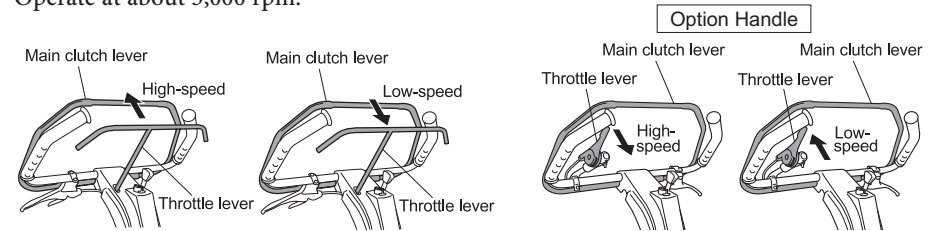
The lever is in the right-side grip section of the handle. Grip the lever, and the internal expanding brake positioned in the second shaft section will operate.

The strength can be adjusted by the screw.

Do not park the machine on the slope.

### 5-9 Throttle

The throttle controls the engine speed. The speed of rotation is 2,100 - 3,400 rpm. Operate at about 3,000 rpm.



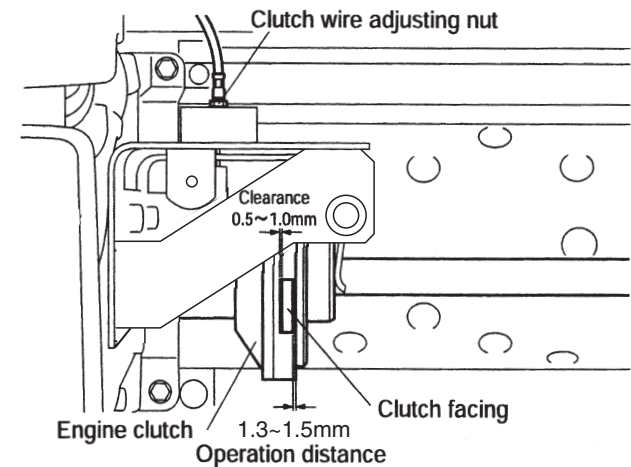
### 5-10 [IMPORTANT] Adjustment of engine clutch

《When reinstalling the engine》

Adjust the clearance between the engine clutch and clutch facing so that it will be approx. 0.5 to 1 mm when the travelling clutch is engaged. For adjustment, loosen the four bolts that are securing the engine, and insert a thickness gauge (attached) into the front and rear. Make adjustment so that the gap will be parallel, and then fasten the bolts.

《When adjusting the clutch wire》

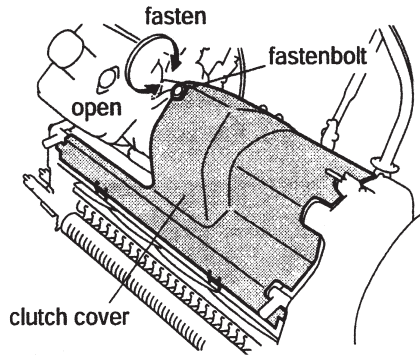
Make adjustment so that the operation distance of the clutch plate between the clutch engagement and disengagement will be 0.8-1 mm.





**5-11 Clutch cover**

The clutch cover is on the left side of the engine, covering the engine clutch. It is secured by turning the fastenbolt clockwise.



**5-12 Travelling wheel**

The travelling wheel is used to move the machine from green to green. Set the stand up right, pull the tire holding the lever, and the wheel will come off.

※tire air pressure 120kPa (1.2kg/cm<sup>2</sup>)

**5-13 Transportation**

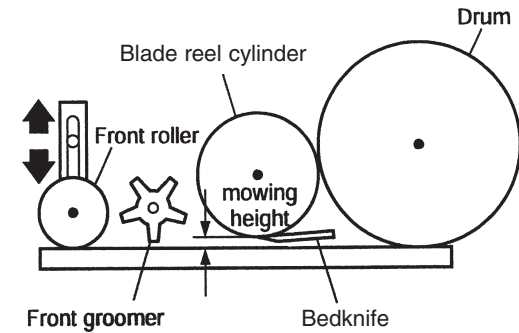
Take care for the safety, when loading to/ unloading from the trailer or truck. (Considering the direction of the machine, wearing nonslip shoes, move slowly.)

When holding the machine with rope, pay attention not to bind the wires.

Take care not to tie down the engine.

**5-14 [IMPORTANT] Adjustment of mowing height**

Move the front roller up or down, and the mowing height can be adjusted to a maximum of 27 mm. Use a 1.5mm bedknife when heights of 0.120in/3.0mm or lower are desired.



**5-15 [IMPORTANT] Greasing**

Periodically fill up respective grease nipples.

Exercise special care when greasing the sections where needle bearings are used.

(Intermediate shaft of the right and left gears and the intermediate shaft of the groomer)

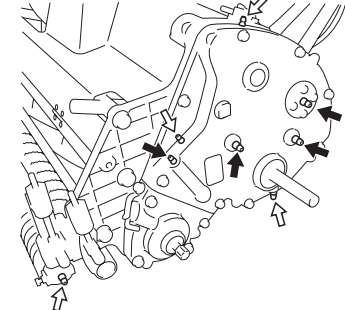
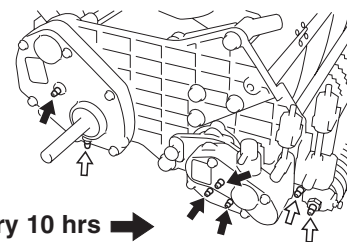
Periodically fill up the grease nipples with approx. 1 g of grease (EXCELITE EP No.2)

(one pump with a compact manual grease pump).

Every 10 hrs →	Every 50 hrs ⇨
Left frame intermediate shaft (for Reel)	Left gear cover
Right & left frame intermediate shaft (for Drum)	Reel bearing
Differential gear parts	Front roller
Vertical gear case intermediate shaft	Vertical gear case
	Drum housing

Right-side main unit

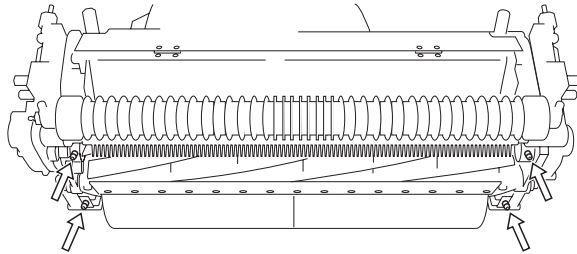
Left-side main unit



Every 10 hrs →

Every 50 hrs ⇨

Every 10 hrs →  
Every 50 hrs →



※ The minimum mowing height is the height on the average condition green. Turf may be shaved when the undulation of the green is substantial. Set the mowing height higher in such case.

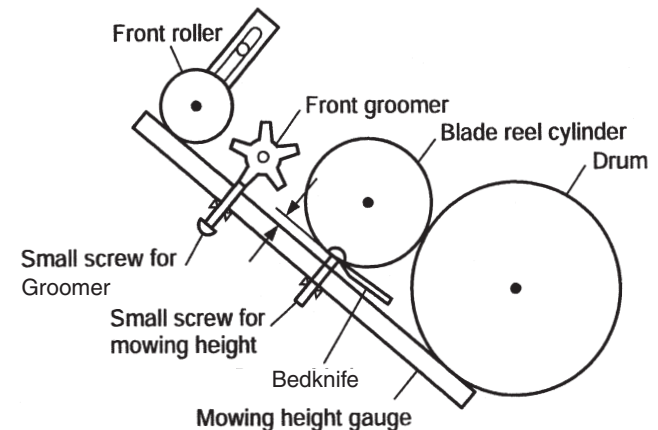
- 2) Adjust the front Groomer according to the condition of the green before use.
  - ※ If the groomer blades are set deeper than the ground surface, the shaft may bend.
  - ※ The front groomer, when it is put too low, will apply an excessive load to the engine and transmission section, which may result in malfunction or failure.

- 3) When using the Rotary brush, adjust the height so that it will be equal to the mowing height.
  - ※ The brush will wear faster when the height is set too low.

4) [IMPORTANT] Adjustment of front roller height

Bring the mowing height gauge into contact with the bottom blade and drum (as shown below), and adjust the height of the front roller.

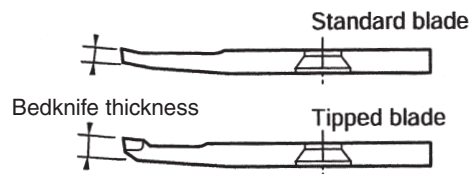
- a. Loosen the tall nut of the roller bracket, and move the front roller up or down with roller adjuster.
- b. Position the front roller with the mowing height gauge.
- c. Make adjustment at both sides.
- d. Tighten the tall nut, and secure the roller bracket.



**5-16 Mowing with bedknife thickness**

1) Set the mowing height gauge at the desired height. The minimum mowing height with respect to each bedknife thickness is shown below.

	Type of bedknife	Bedknife thickness (mm)	Min.Bench height (mm)	Code No.	Part Name	Note
LM18G	Standard bedknife	1.5	2.5	K2511000410	18G 1.5 Bedknife	Standard
		2.0	3.0	K2511000420	18G 2.0 Bedknife	Option
LM56G	Standard bedknife	1.5	2.5	K2511000270	1.5 Bedknife 55G	Standard
		2.0	3.0	K2511000280	2.0 Bedknife 55G	
		2.5	3.5	K2511000050	2.5 Bedknife 55G	
	Tipped bedknife	3.0	4.0	K2510000060	3.0 Bedknife 62.5 - 559	Option
		5.0	7.0	K2510000160	5.0 Bedknife 62.5 - 559	
LM66T	Standard bedknife	1.5	3.0	K2511000310	1.5 Bedknife 65G	Standard
		2.0	3.5	K2511000300	2.0 Bedknife 65G	
		2.5	4.0	K2511000200	2.5 Bedknife 65G	
	Tipped bedknife	3.0	4.5	K2511000150	3.0 Bedknife 62.5 - 648.4	Option
		5.0	7.0	K2510000170	5.0 Bedknife 62.5 - 648.4	



## 6. Blade adjustment

Check that the engine is stopped before making adjustment.

Grind and adjust the blade reel cylinder and bedknife so that newspaper can be cut sharply.

### 6-1 [IMPORTANT] Lapping

Conduct lapping after mowing operation (before adjusting the engagement).

- 1) Check the entire portion of the blade reel cylinder to check which portion is dull. (If a newspaper cannot be cut in any portion, put in two sheets of paper to carefully check which portion is dull.)
- 2) Connect the lapping machine to the lapping bolt of the mower.
- 3) Rotate the blade reel cylinder in the direction opposite to the mowing direction, and apply abrasive with a brush only to the portion where a newspaper was sharply cut. The portion where a newspaper was not cut is worn away. Do not apply abrasive to such portions.
 

※The right side (when viewed from the front of the blade reel cylinder) of the blade reel cylinder will be worn away 3-4 times earlier than the left side. When applying abrasive to the blade reel cylinder, be sure to move the brush from left to right. (See right sketch) When the abrasive is a mixture of powder (#200~#400) and oil, mix them at the rate of 1:3 to 4. The gel compound (option) can be used as it is.
- 4) Keep rotating the blade reel cylinder, and stop rotation when the contact sound disappears. Put in a newspaper again to check the blade reel cylinder entirely for the sharpness of each portion.
- 5) Repeat operations (3) and (4). When the blade reel cylinder and bedknife are in contact with each other uniformly, apply abrasive to the blade reel cylinder entirely for final lapping.
- 6) After lapping, remove the abrasive with steam, etc.

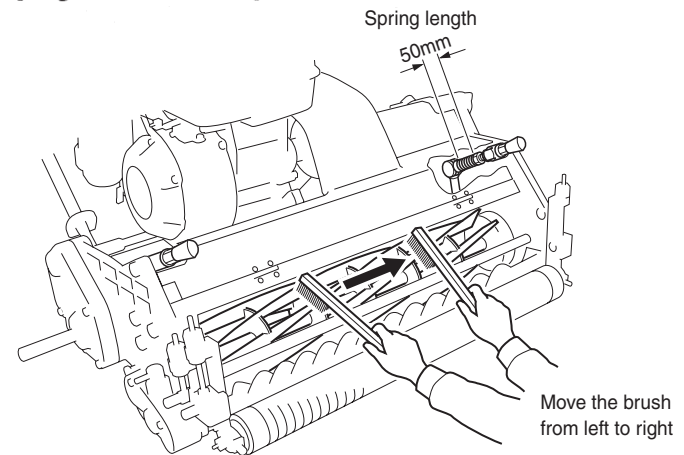
**CAUTION** Both blade reel cylinder and bedknife are edged. Handle them carefully. Be careful of your fingers when you turn the blade reel cylinder when cutting a newspaper to check sharpness. Uniformly lap the right and left sides of the bedknife in contact with the blade reel cylinder, and the life of the blade will be maximized.

### 6-2 [IMPORTANT] Reel to bedknife contact.

- 1) Lightly contact of the reel cylinder and bedknife are preferred but zero contact is OK.
- 2) Uniformly adjust the bedknife on the right and left sides.
 

Turning the blade adjusting nut (1-1) clockwise will lessen contact, and turning counterclockwise will tighten the contact.
- 3) Lightly engage both sides to the extent that a newspaper will be cut sharply.
 

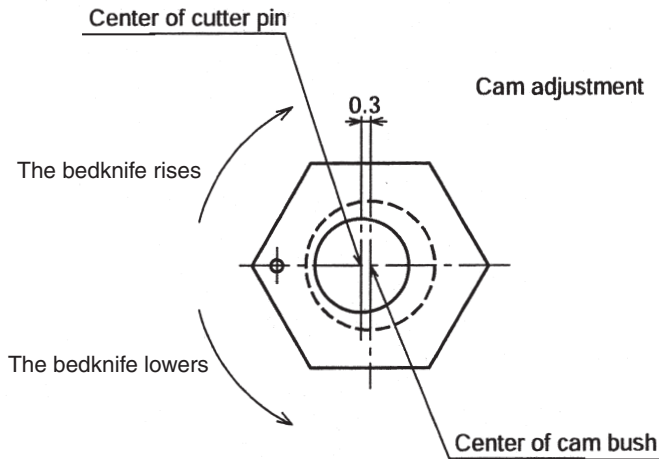
When the blade reel cylinder is worn and the spring pressure decreases, adjust the spring pressure by the spring adjusting screw (1-6) and 14 nut (1-7). (Make adjustment so that the spring will be 50 mm long.)



### 6-3 [IMPORTANT] Cam adjustment

Turn the cam bush on both sides of the bedknife, and the blade will be raised and lowered within a maximum range of 0.6 mm. The above method is used when the edges of the blade reel cylinder and bedknife are not in parallel.

- 1) When the variation between the left and right hand side bed knife to reel adjustment is too great, the variation can be lessened by using the available adjustment the cam bushes offer.
- 2) By using the available adjustment in the cam bushes, you will be able to eliminate excessive flexing of the bed knife base.



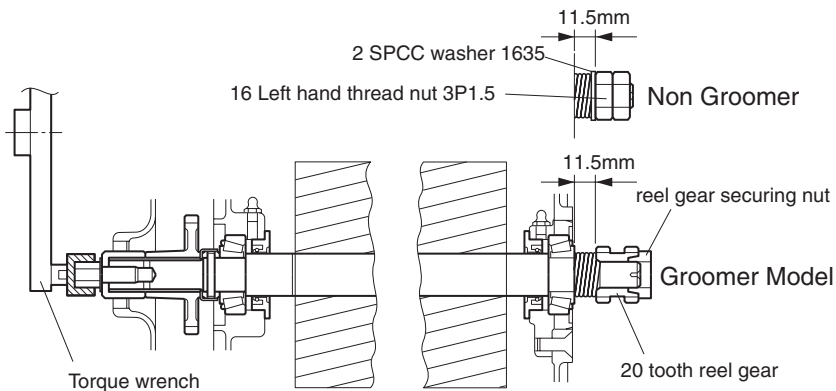
- 1) Replace the bearings and reel shaft seals on both sides of the blade reel cylinder. Use the bearing 30204JRP6, as these have the tightest tolerances.
- 2) Sufficiently apply grease (EXCELITE EPNO2) to the bearing and seal. (Apply grease to the bearing while turning the roller.)
- 3) Method to fasten nut after installing the blade reel cylinder

[IMPORTANT] Tighten the nut until the length of the spring reaches 11.5 mm, and lock the nut. A certain preload will be applied by the spring pressure. The rotational torque of the blade reel cylinder should be  $0.8 \sim 1.0 \text{ N} \cdot \text{m}$  ( $8 \sim 10 \text{ kgf} \cdot \text{cm}$ ). If it is not, check the bearing and seal.

#### 6-4 Cylindrical grinding and installation of blade reel cylinder

Cylindrically grind the blade reel cylinder when it is worn away and has become conical. (Ask the dealer you purchased the machine from for cylindrical grinding.)

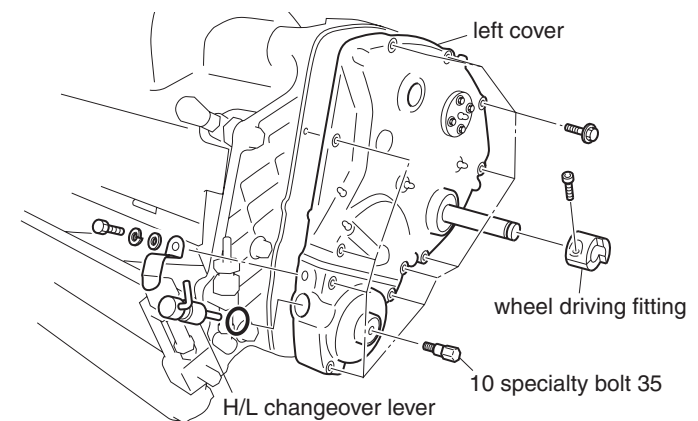
#### 6-5 [IMPORTANT] Installation of blade reel cylinder



#### 6-6 Removal/Installation of the left cover

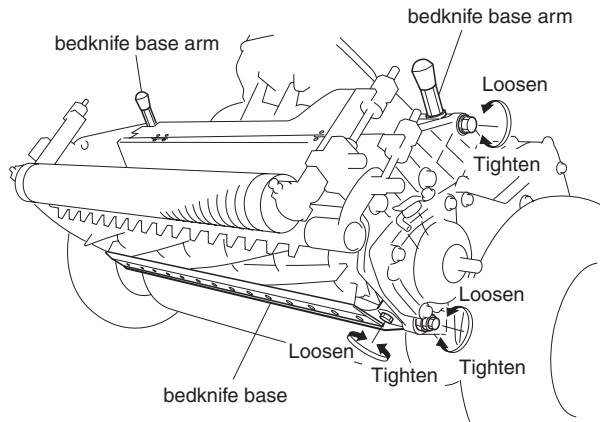
Remove the 10 specialty bolt 35 and H/L changeover lever in this order, and then remove the key fixed in the wheel driving fitting and the outer drum shaft. Finally remove the bolts.

Attach the left cover, and then attach the key to the drum shaft, then attach the wheel driving fitting and the H/L changeover lever and the 10 specialty bolt 35 in this order.



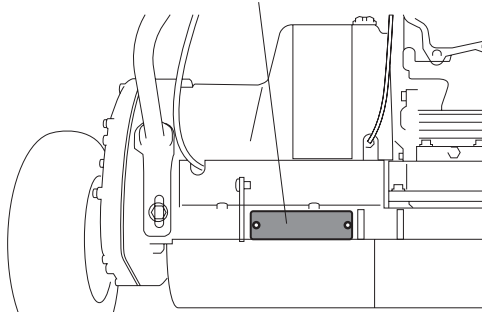
**6-7 Attaching/detaching the bedknife base**

Remove the bedknife base arm, and then remove the bedknife base.  
Attach the bedknife base, and then attach the bedknife base arm.

**6-8 Type and Serial number plate position**

The type and serial number are marked on the machine number plate.  
It is attached to the back portion on the rear frame stay.

Machine number plate

**6-9 Specification for maintenance**

Qty of engine oil	0.6dm <sup>3</sup> (0.6L) 0.63 qt.
Plug	NGK BR4HS
Capacity of gasoline tank	2.3dm <sup>3</sup> (2.3L) 2.43 qts.
Tire air pressure	120kpa (1.2kg/cm <sup>2</sup> ) 17 psi
Engine speed	2100~3400 rpm

**6-10 Position of mower during maintenance**

If the mower handle is left leaned on the ground for a long time during maintenance, engine oil may enter the engine combustion chamber and cause the engine to run improperly.

Be careful not to keep this position long, and ensure sufficient time for any oil to drain back by returning to upright position for ten minutes before starting.

**7. Long-term storage**

- 1) For the engine, refer to the engine operation manual.
- 2) Cylindrically grind the blade reel cylinder every six months.
- 3) Replace the bearing (30204JRP6) and seal on both sides of the blade reel cylinder every season. (Replace them even if they have not been used for many hours.)
- 4) Clean the machine, and apply grease or oil to respective sliding sections.

## 8. **CAUTION** Precautions for engine operation

For the engine, refer to the engine operation manual.



- 1) Use automobile gasoline as the fuel of the engine.
- 2) Completely change engine oil when the machine has been used for eight hours after the initial operation, because the machine is used under tough conditions with vibration and dust. Change oil every 50 hours after that. The quantity of engine oil is 0.6 dm<sup>3</sup>(0.6L). Use SAE30.
- 3) Be sure to clean the air cleaner element before using the machine.

### **! DANGER**



- 4) Handle fuel safely. To avoid personal injury or property damage use extreme care in handling fuel. Fuel is extremely flammable and fuel vapors are explosive. Replenish fuel tank outdoors after stopped engine has cooled
- 5) Do not start the engine in a building without a proper ventilation.

### **! CAUTION**



- 6) The muffler and the area around the exhaust port of the muffler will become hot. Do not bring gasoline, matches, dry grass, or other flammables near hot portions.

### **! CAUTION**

- 7) Inspection before operation  
Check the joint of fuel pipe, etc. for looseness or damage. Check bolts and nuts in respective sections for looseness.

### **! CAUTION**

- 8) Wear appropriate clothes. An apron, towel on the belt, long strings, and other loose clothing items. Will cause you to be caught in rotating parts.

- 9) When the machine is to be stored for a long time exceeding 5 months, remove gasoline from the engine.

### 10) Engine maintenance schedule

To keep the engine in satisfactory status at all times, be sure to conduct maintenance and inspection according to the following table:

## 9. Maintenance Schedule

Engine				
Maintenance	Before use	Every 8hr	Every 10hr	Every 50hr
Cleaning of each part/inspection of tightening	○			
Inspection and addition of fuel	○			
Inspection and cleaning of air cleaner	○			
Inspection and addition of engine oil	○			
Engine oil change		only after the initial operation		○
Main unit				
Maintenance	Before use	After use	Every 10hr	Every 50hr
Inspection and cleaning of recoil starter dust proofing net	○			
Cleaning of each part/inspection of tightening	○			
Inspection and adjustment of blade engagement	○			
Inspection and adjustment of mowing height	○			
Greasing and oiling			○	○
Removal of mown grass and dust		○		

## Baroness Mower Three Year Limited Warranty

### **This warranty is subject to the following limitations and exclusions:**

- 1) It applies only to products which have been properly assembled, adjusted, operated, and maintained in accordance with instructions in the owner's manual.
- 2) It does not apply to any product which has been subjected to alteration, improper assembly, or improper installation.
- 3) It does not apply to add-ons or unapproved accessories.
- 4) It does not apply to damage which results from negligence, misuse, or operating the product in an abusive or reckless manner.
- 5) It does not apply to product failure which results from operating product without required maintenance and/or adjustment.
- 6) It does not apply to parts subject to consumption through use unless they are found to be defective.
- 7) It does not apply to failure caused by outside influence including, but not limited to, the use of unapproved lubricants, chemicals, additives, or contaminants; or to weather, or storage conditions.
- 8) It does not apply to normal "wear and tear" including, but not limited to, worn paint, scratches, dents, worn decals, or similar damage.

### **Parts**

Parts replaced under warranty will be considered part of the original product and any warranty on those parts will expire concurrent with the original product warranty.

### **Emission Control System Warranty**

The engine complies with the U.S. EPA and State of California emission regulations. Unrecommended repair or replacement, unapproved modifications, improperly performed maintenance, and installation of any replacement parts or accessories not conforming to "Baroness" specifications are not covered under this warranty and are not recommended.

### **To Obtain Warranty Service**

Customers will be required to contact the Dealer where they made the purchase, the Dealer will require the serial number of the mower and a description of the failure. At this point, the Dealer will decide whether to assess then repair at owner's facility or have it freighted back to the dealership to be assessed before repairs are performed.

### **Owner's Warranty Responsibility**

The equipment owner is responsible for ensuring that the required maintenance as listed in the owner's manual is performed. "Baroness" reserves the right to deny warranty coverage for damage resulting from failure to perform the required maintenance as stated in this manual.

### **Limited Liability**

This warranty does not apply to incidental or consequential damages and any implied warranties are limited to the same time period stated herein for our expressed warranties. This is a limited warranty within the meaning of that term as defined in the Magnuson-Moss Act.

*Some areas do not allow the limitation of consequential damages or limitations on how long an implied warranty may last, so the above limitations or exclusions may not apply to you. This warranty gives you specific legal rights, and you may have other rights which vary from locale to locale.*

**BARONESS**  
GREENS MOWERS®

***LM18G LM56G LM66T***

**PARTS CATALOG**

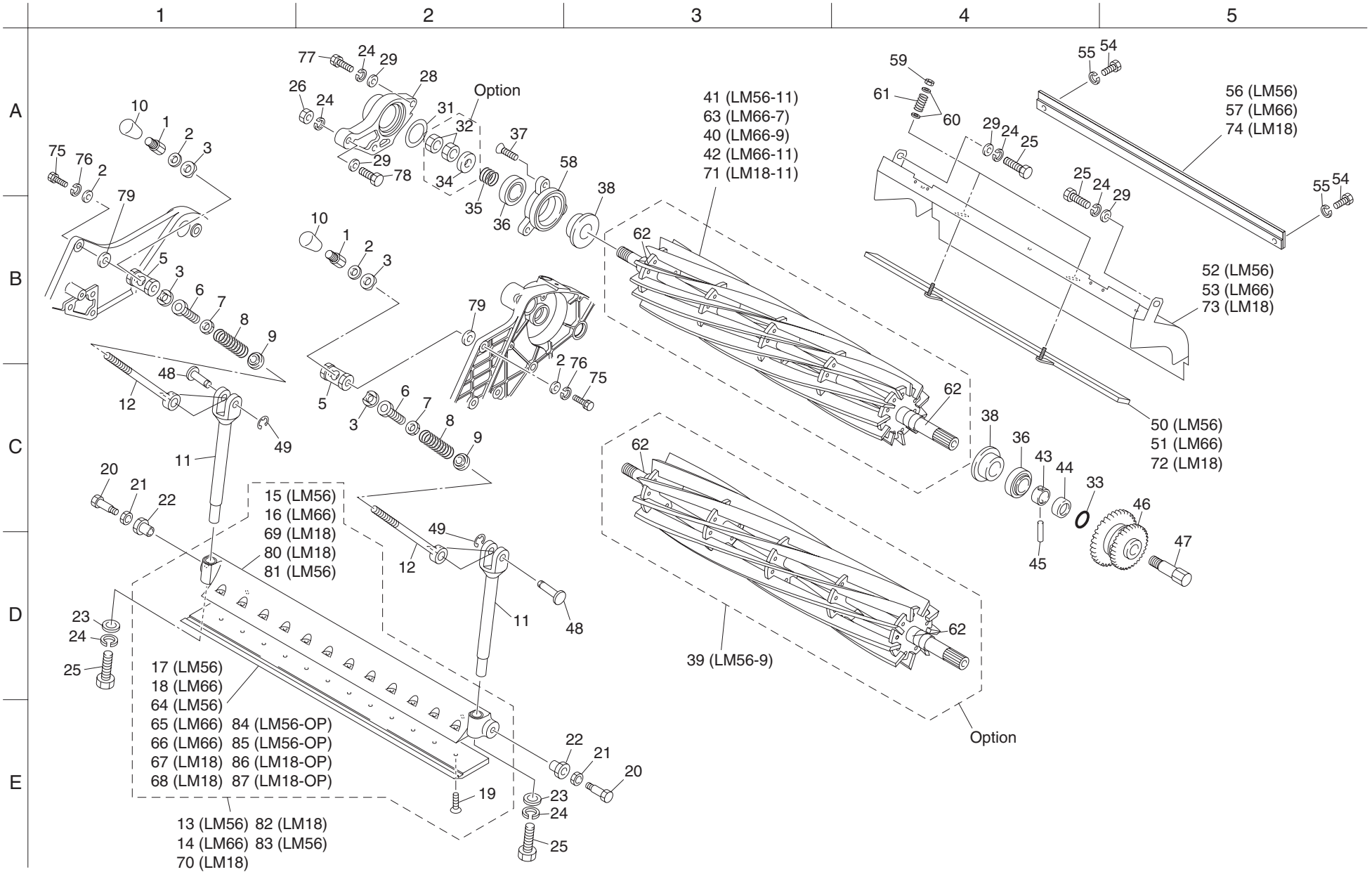




## 101 Reel Cutter & Bedknife

Catalog No.	Code No.	Part Name	Qty Unit			Pkg/Qty	Catalog No.	Code No.	Part Name	Qty Unit			Pkg/Qty
			LM18	LM56	LM66					LM18	LM56	LM66	
101-1	LM56GA-0506Z2	Bedknife Adjusting Nut	2	2	2	1	101-36	K0631302040	Tapered Roller 30204 JRP6	2	2	2	2
101-2	K5000100002	10 Washer	4	4	4	20	101-37	K0053080202	8 Hex. Socket Head Flush Bolt 20	3	3	3	6
101-3	K6500000102	5SS41 Washer 10.522	4	4	4	6	101-38	K0830000020	Oil Seal 254210	2	2	2	4
101-4							101-39	K28055009DR	LM56 Reel Cutter 9-Blade	0	1	0	1
101-5	LM56GA-0509Z2	Fulcrum Seat	2	2	2	1	101-40	K28065009DR	LM66 Reel Cutter 9-Blade	0	0	1	1
101-6	LM56G--0504Z2	Spring Adjusting Screw	2	2	2	1	101-41	K28055011DR	LM56 Reel Cutter 11-Blade	0	1	0	1
101-7	K0160000582	14 Nut 3P 1.25	2	2	2	2	101-42	K28065011DR	LM66 Reel Cutter 11-Blade	0	0	1	1
101-8	K1000000458	5 Compression Spring 2560	2	2	2	2	101-43	K6213000040	Left Bearing Collar	1	1	1	1
101-9	K6206000052	Spring Receiver	2	2	2	2	101-44	K5300000282	Pin Lock Cover	1	1	1	1
101-10	K1310000150	Rubber Cap 14	2	2	2	2	101-45	K0311045250	4.5 Needle Roller 25.8	1	1	1	6
101-11	LM56GA-0503B2	Bed Knife Adjustment Arm	2	2	2	1	101-46	LM56G--6101Z0	33-Teeth 42-Teeth Gear	1	1	1	1
101-12	K6511000082	Reel Cutter Adjustment Bolt 140	2	2	2	2	101-47	K0071000878	10 Specialty Bolt 35	1	1	1	1
101-13	LM56GA-2501Z0	1.5 Bedknife Base COMP	0	1	0	1	101-48	K6032000062	10 Flat Head Pin 32	2	2	2	2
101-14	LM66GA-2601Z0	3.0 Bedknife Base COMP	0	0	1	1	101-49	K0400008002	Stop Ring E8	2	2	2	6
101-15	LM56GA-0501ZR	Bedknife Base	0	1	0	1	101-50	LM56GA-0510Z2	Air Adjusting Plate 560	0	1	0	1
101-16	LM66GA-0501ZR	Bedknife Base	0	0	1	1	101-51	LM66GA-0510Z2	Air Adjusting Plate 650	0	0	1	1
101-17	K2511000270	LM56 1.5 Bedknife	0	1	0	1	101-52	LM56GA-0502ZR	56 Reel Cover	0	1	0	1
101-18	K2510000150	LM66 3.0 Bedknife	0	0	1	1	101-53	LM66GA-0502ZR	66 Reel Cover	0	0	1	1
101-19	K0071000222	6 Countersunk Head Screw 12	11	13	15	10	101-54	K0000060102	6 Bolt 10	2	2	2	12
101-20	K6082000010	Cutter Pin R	2	2	2	1	101-55	K0200060002	6S Washer	2	2	2	30
101-21	K0160000112	Lock Nut	2	2	2	2	101-56	LM56G--0521ZR	LM56 Cover Rear Retaining Plate	0	1	0	1
101-22	K6010000010	Cam Bush	2	2	2	1	101-57	LM66G--0521ZR	LM66 Cover Rear Retaining Plate	0	0	1	1
101-23	K5073208202	3.2 SPHC Washer 820	2	2	2	10	101-58	LM56G--0606Z2	Right Reel Housing	1	1	1	1
101-24	K0200080002	8S Washer	10	10	10	30	101-59	K0144060002	6 Lock Nut	2	2	2	4
101-25	K0000080152	8 Bolt 15	4	4	4	12	101-60	K5011606202	1.6 SPCC Washer 620	4	4	4	4
101-26	K0100080002	8 Nut	1	1	1	12	101-61	K1000000309	1.6 Compression Spring 13.720	2	2	2	3
101-27							101-62	K6000000540	23 Sus Bushing 2515	2	2	2	2
101-28	K690200005D	Reel Shaft Cover	1	1	1	1	101-63	K28065007DR	LM66 Reel Cutter 7-Blade	0	0	1	1
101-29	K5000080002	8 Washer	4	4	4	12	101-64	K2511000280	LM56 2.0 Bedknife	0	1	0	1
101-30	K0000080502	8 Bolt 50	1	1	1	6	101-65	K2511000300	LM66 2.0 Bedknife	0	0	1	1
101-31	K0882045000	O-Ring G45	1	1	1	3	101-66	K2511000310	LM66 1.5 Bedknife	0	0	1	1
101-32	K0185160002	16 Left-Hand Thread Nut 3P1.5	2	2	2	4	101-67	K2511000410	LM18G 1.5 Bedknife	1	0	0	1
101-33	K0880018000	O-Ring P18	1	1	1	6	101-68	K2511000420	LM18G 2.0 Bedknife	1	0	0	1
101-34	K5012016352	2SPCC Washer 1635	1	1	1	4	101-69	LM18G--0501ZR	Bedknife Base	1	0	0	1
101-35	K1000000740	3.2 Compression Spring 26.922	1	1	1	2	101-70	LM18G--2501Z0	1.5 Bedknife Base COMP	1	0	0	1

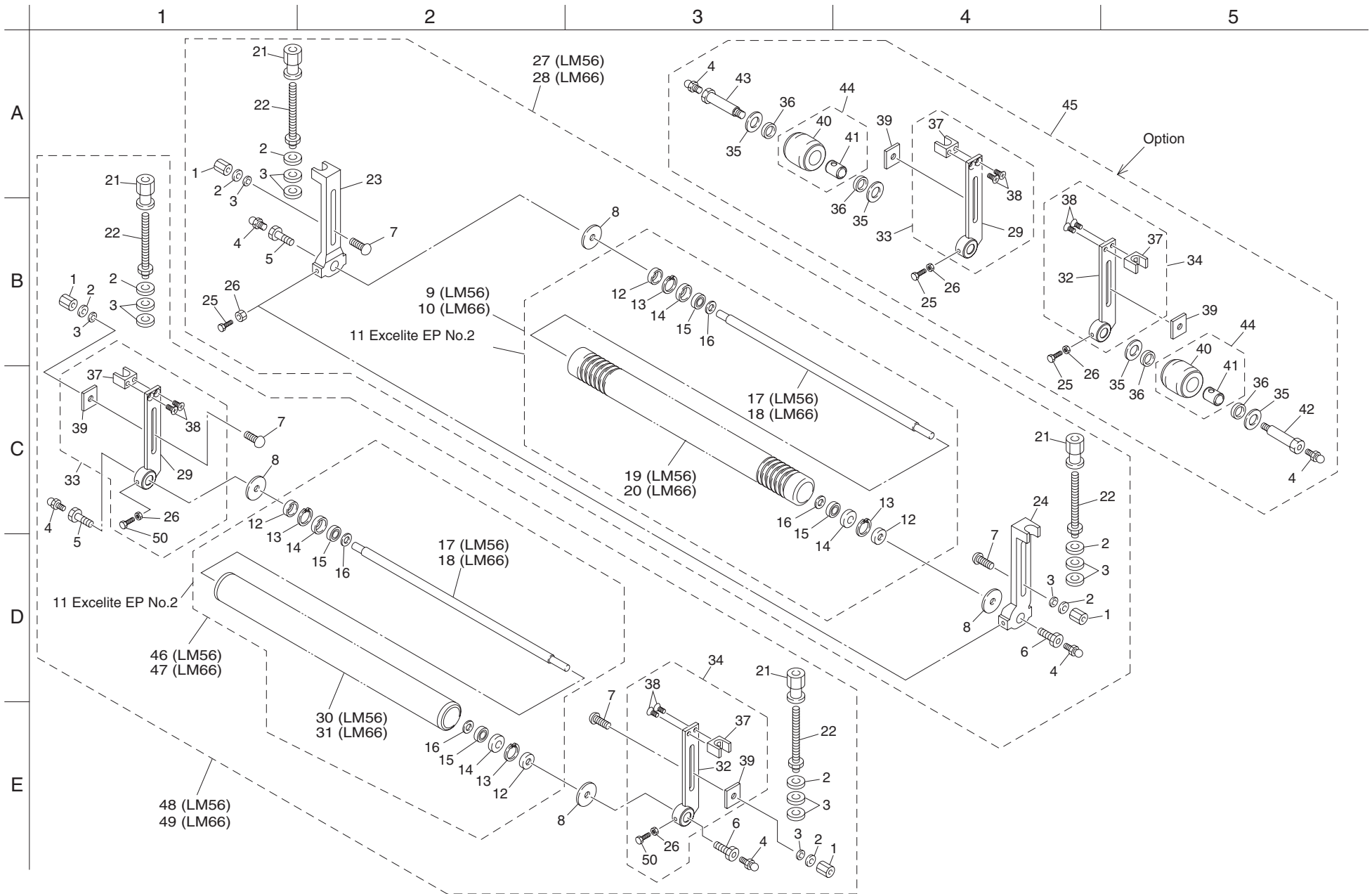
101 Reel Cutter & Bedknife



### 101 Reel Cutter & Bedknife

Catalog No.	Code No.	Part Name	Qty Unit			Pkg/Qty	Catalog No.	Code No.	Part Name	Qty Unit		Pkg/Qty
			LM18	LM56	LM66					LM56	LM66	
101-71	K280180010R	LM18G Reel Cutter 11-Blade	1	0	0	1						
101-72	LM18G--0510Z2	Air Adjusting Plate 460	1	0	0	1						
101-73	LM18G--0502ZR	18G Reel Cover	1	0	0	1						
101-74	LM18G--0521ZR	LM18G Cover Rear Retaining Plate	1	0	0	1						
101-75	K0000100302	10 Bolt 30	2	2	2							
101-76	K0200100002	10S Washer	2	2	2							
101-77	K0000080252	8 Bolt 25	1	1	1							
101-78	K0000080502	8 Bolt 50	1	1	1							
101-79	K5010412202	0.4 SPCC Washer 1220	0~6	0~6	0~6							
101-80	LM18G--2913ZR	Base, BEDKNIFE OFFSET	1	0	0							
101-81	LM56GA-0521ZR	Base, BEDKNIFE OFFSET	0	1	0							
101-82	LM18GB-2001Z0	BEDKNIFE BASE COMP, 1.5-OFFSET	1	0	0							
101-83	LM56GA-1501Z0	BEDKNIFE BASE COMP, 1.5-OFFSET	0	1	0							
101-84	LM55GD-9085Z0	Bedknife, 1.5 LM56-44.5 offset (option)	0	OP	0							
101-85	K2511000390	Bedknife, 1.5 LM56-47 offset (option)	0	OP	0							
101-86	K2511000430	Bedknife, 1.5 LM18-44.5 offset (option)	OP	0	0							
101-87	K2511000440	Bedknife, 1.5 LM18-47 offset (option)	OP	0	0							

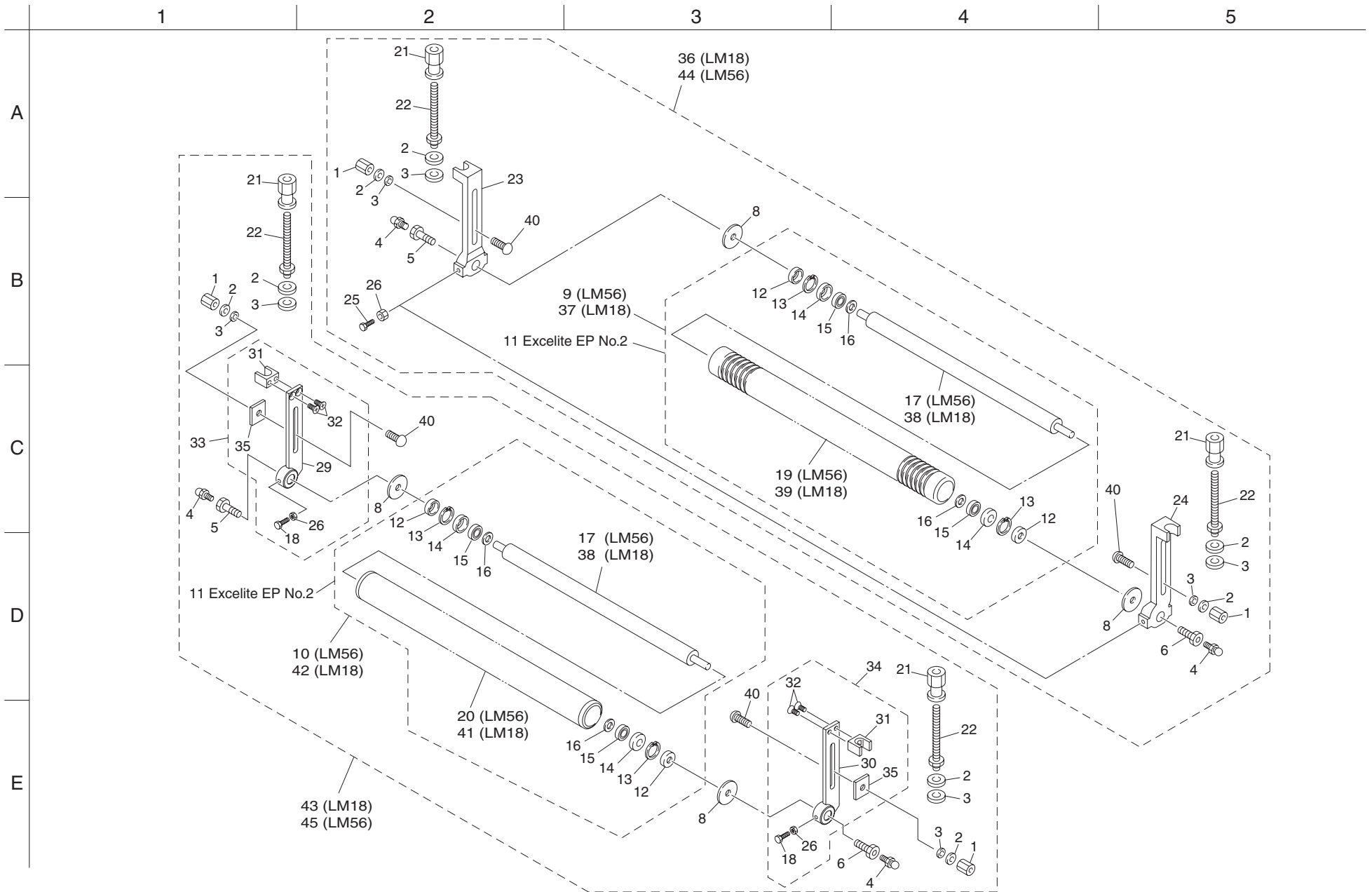
102a Front Roller (Without Independent Arm)



## 102a Front Roller (Without Independent Arm)

Catalog No.	Code No.	Part Name	Qty Unit			Pkg/Qty	Catalog No.	Code No.	Part Name	Qty Unit			Pkg/Qty
			LM18	LM56	LM66					LM18	LM56	LM66	
102a-1	K0149083202	8-13 Tall Nut 20	0	2	2	6	102a-36	K0821525070	Oil Seal MHSA15257	0	4	4	5
102a-2	K0213080002	8 Disc Spring Washer 1H	0	4	4	6	102a-37	K6090000592	Height Adjustment Bracket	0	2	2	1
102a-3	K5000080002	8 Washer	0	6	6	12	102a-38	K0041060152	6+ Flat Head Screw	0	4	4	6
102a-4	K1440000010	Grease Nipple	0	2	2	16	102a-39	K5141000602	Spacer 4.5×27×32	0	2	2	1
102a-5	K6083000042	16 Extension Pin 19	0	1	1	1	102a-40	LM56G--8303Z0	Support Roller 59	0	2	2	1
102a-6	K0071000152	Left-Hand Thread Roller Bolt	0	1	1	1	102a-41	K6000000150	15 Bushing with Hole 2029	0	2	2	1
102a-7	K0025080452	8 Sq. Root Round Head Bolt 45	0	2	2	2	102a-42	LM56G--8304Z0	Left Support Roller Shaft	0	1	1	1
102a-8	K5051015470	1C5191P Washer 1547	0	2	2	2	102a-43	LM56G--8305Z0	Right Support Roller Shaft	0	1	1	1
102a-9	LM56G--8201Z0	LM56 Grooved Roller Ass'y	0	1	0	1	102a-44	LM56G--8302Z0	Support Roller 59 COMP	0	2	2	1
102a-10	LM66G--8201Z0	LM66 Grooved Roller Ass'y	0	0	1	1	102a-45	LM56G--8301Z0	Support Roller 59 Kit	0	1	1	1
102a-11	K2931000400	Excelite EP No.2 (400g tube)	0	10g	10g	20	102a-46	LM56G--8502Z0	LM56 Front Roller Ass'y	0	1	0	1
102a-12	K0861000020	Oil Seal TA 1542.38	0	2	2	2	102a-47	LM66G--8502Z0	LM66 Smooth Front Roller Ass'y	0	0	1	1
102a-13	K0402042001	Stop Ring R42	0	2	2	2	102a-48	LM56GA-2909Z0	LM56 Smooth Front Roller Kit	0	1	0	1
102a-14	K0861000030	Oil Seal 6202	0	2	2	2	102a-49	LM66GA-2909Z0	LM66 Smooth Front Roller Kit	0	0	1	1
102a-15	K0616062020	Bearing 62022NSEC3	0	2	2	2	102a-50	K0000060202	6 Bolt 20	0	2	2	6
102a-16	K5051015280	1C5191P Washer 1528	0	2	2	6							
102a-17	K6131000010	Front Roller Shaft 596	0	1	0	1							
102a-18	K6131000020	LM66 Front Roller Shaft	0	0	1	1							
102a-19	LM56G--0402ZD	56G Grooved Roller 39	0	1	0	1							
102a-20	LM66G--0402ZD	66G Grooved Roller 46	0	0	1	1							
102a-21	K6084000162	Roller Adjuster 2008	0	2	2	1							
102a-22	LM56GA-2901Z0	Roller Adjuster Screw 2008	0	2	2	1							
102a-23	K6904000070	Right Roller Bracket	0	1	1	1							
102a-24	K6904000060	Left Roller Bracket	0	1	1	1							
102a-25	K0000060252	6 Bolt 25	0	2	2	6							
102a-26	K0100060002	6 Nut	0	2	2	12							
102a-27	LM56GA-2908Z0	LM56 Grooved Front Roller Kit (Normal)	0	1	0	1							
102a-28	LM66GA-2908Z0	LM66 Grooved Front Roller Kit	0	0	1	1							
102a-29	LM56G--8307Z2	R Straight Roller Bracket 18	0	1	0	1							
102a-30	K740000012D	LM56 Smooth Front Roller	0	1	0	1							
102a-31	K740000006D	LM66 Smooth Roller	0	0	1	1							
102a-32	LM56G--8306Z2	L Straight Roller Bracket 18	0	1	0	1							
102a-33	LM56G--8309Z0	R Straight Roller Bracket 18 COMP	0	1	0	1							
102a-34	LM56G--8308Z0	L Straight Roller Bracket 18 COMP	0	1	0	1							
102a-35	K5051015350	1C5191P Washer 1535	0	2	2	2							

102b Front Roller (For Independent Arm)

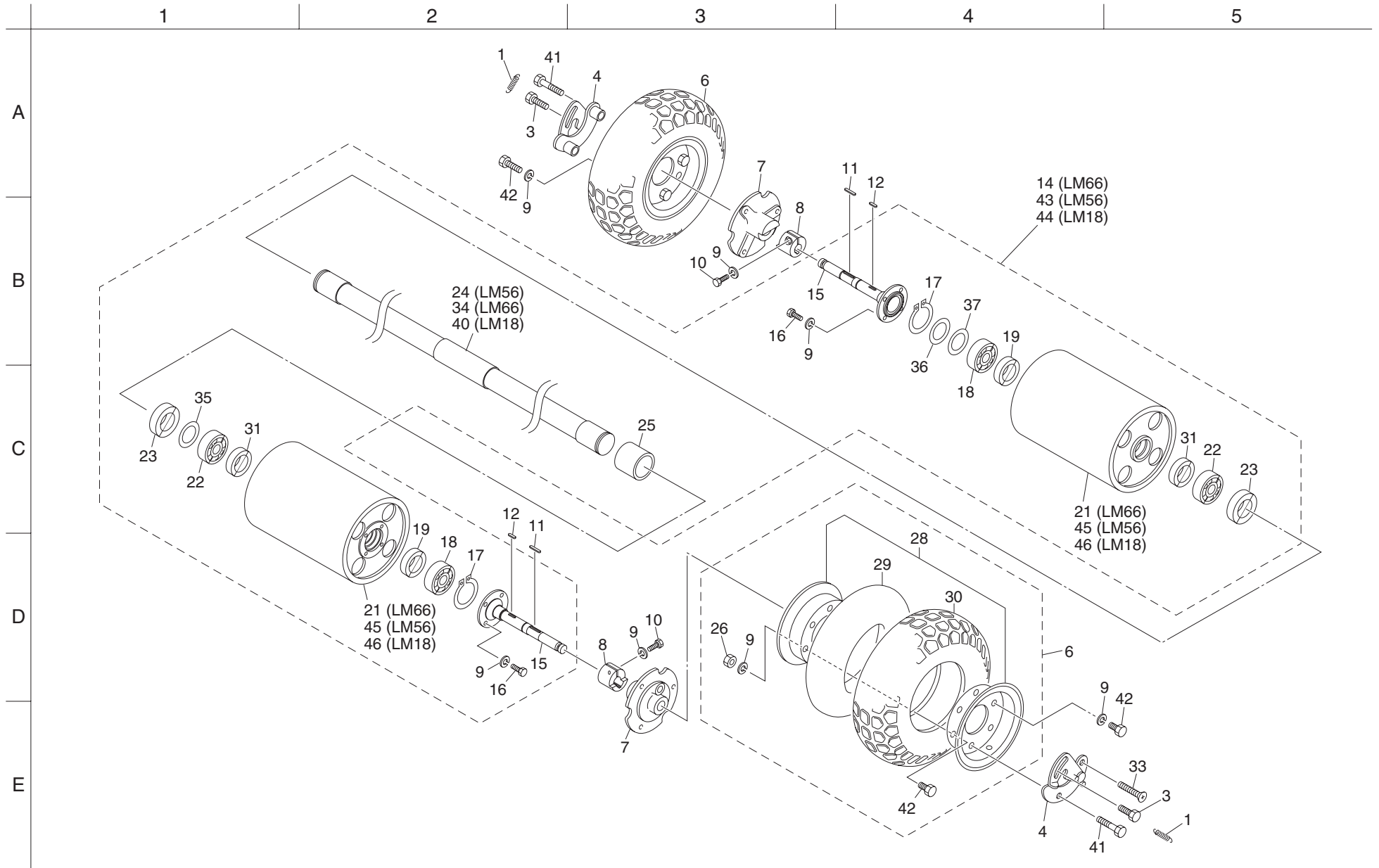


## 102b Front Roller (For Independent Arm)

Catalog No.	Code No.	Part Name	Qty Unit			Pkg/Qty	Catalog No.	Code No.	Part Name	Qty Unit			Pkg/Qty
			LM18	LM56	LM66					LM18	LM56	LM66	
102b-1	K0149083202	8-13 Tall Nut 20	2	2	0	6	102b-36	LM18G--2904Z0	LM18G Grooved Front Roller Kit (Weighted)	1	0	0	1
102b-2	K0213080002	8 Disc Spring Washer 1H	4	4	0	6	102b-37	LM18G--2905Z0	LM18G Grooved Front Roller Ass'y (Weighted)	1	0	0	1
102b-3	K5000080002	8 Washer	4	4	0	12	102b-38	LM18G--6802A2	LM18G Front Roller Shaft (Weighted)	1	0	0	1
102b-4	K1440000010	Grease Nipple	2	2	0	16	102b-39	LM18G--0401ZD	18G Grooved Roller 32	1	0	0	1
102b-5	K6083000042	16 Extension Pin 19	1	1	0	1	102b-40	K0025080552	8Sq. Root Round Head Bolt 55	2	2	0	2
102b-6	K0071000152	Left-Hand Thread Roller Bolt	1	1	0	1	102b-41	LM18G--2912ZD	LM18 Smooth Front Roller	1	0	0	
102b-7							102b-42	LM18G--2911Z0	LM18 Smooth Front Roller Ass'y (Weighted)	1	0	0	
102b-8	K5051015470	1C5191P Washer 1547	2	2	0	2	102b-43	LM18G--2910Z0	LM18 Smooth Front Roller Kit (Weighted)	1	0	0	
102b-9	LM56G--6812Z0	LM56 Grooved Front Roller Ass'y (Weighted)	0	1	0	1	102b-44	LM56GB-2904Z0	LM56 Grooved Front Roller kit (Weighted)	0	1	0	1
102b-10	LM56GA-2910Z0	LM56 Smooth Front Roller Ass'y (Weighted)	0	1	0	1	102b-45	LM56GB-2905Z0	LM56G Smooth Front Roller kit (Weighted)	0	1	0	1
102b-11	K2931000400	Excelite EP No.2 (400g tube)	10g	10g	0	20							
102b-12	K0861000020	Oil Seal TA 1542.38	2	2	0	2							
102b-13	K0402042001	Stop Ring R42	2	2	0	2							
102b-14	K0861000030	Oil Seal 6202	2	2	0	2							
102b-15	K0616062020	Bearing 62022NSEC3	2	2	0	2							
102b-16	K5051015280	1C5191P Washer 1528	2	2	0	6							
102b-17	LM56G--6807A2	LM56 Front Roller Shaft (Weighted)	0	1	0	1							
102b-18	K0000060202	6 Bolt 20	2	2	0	6							
102b-19	LM56G--0402ZD	56G Grooved Roller 39	0	1	0	1							
102b-20	K740000012D	LM56 Smooth Front Roller	0	1	0	1							
102b-21	K6084000162	Roller Adjuster 2008	2	2	0	1							
102b-22	LM56GA-2901A0	Roller Adjuster Screw	2	2	0	1							
102b-23	K6904000070	Right Roller Bracket	1	1	0	1							
102b-24	K6904000060	Left Roller Bracket	1	1	0	1							
102b-25	K0000060252	6 Bolt 25	2	2	0	6							
102b-26	K0100060002	6 Nut	2	2	0	12							
102b-27													
102b-28													
102b-29	LM56G--8307Z2	R Straight Roller Bracket 18	1	1	0	1							
102b-30	LM56G--8306Z2	L Straight Roller Bracket 18	1	1	0	1							
102b-31	K6090000592	Height Adjustment Bracket	2	2	0	1							
102b-32	K0041060152	6+ Flat Head Screw	4	4	0	6							
102b-33	LM56G--8309Z0	R Straight Roller Bracket 18 COMP	1	1	0	1							
102b-34	LM56G--8308Z0	L Straight Roller Bracket 18 COMP	1	1	0	1							
102b-35	K5141000602	Spacer 4.5×27×32	2	2	0	1							



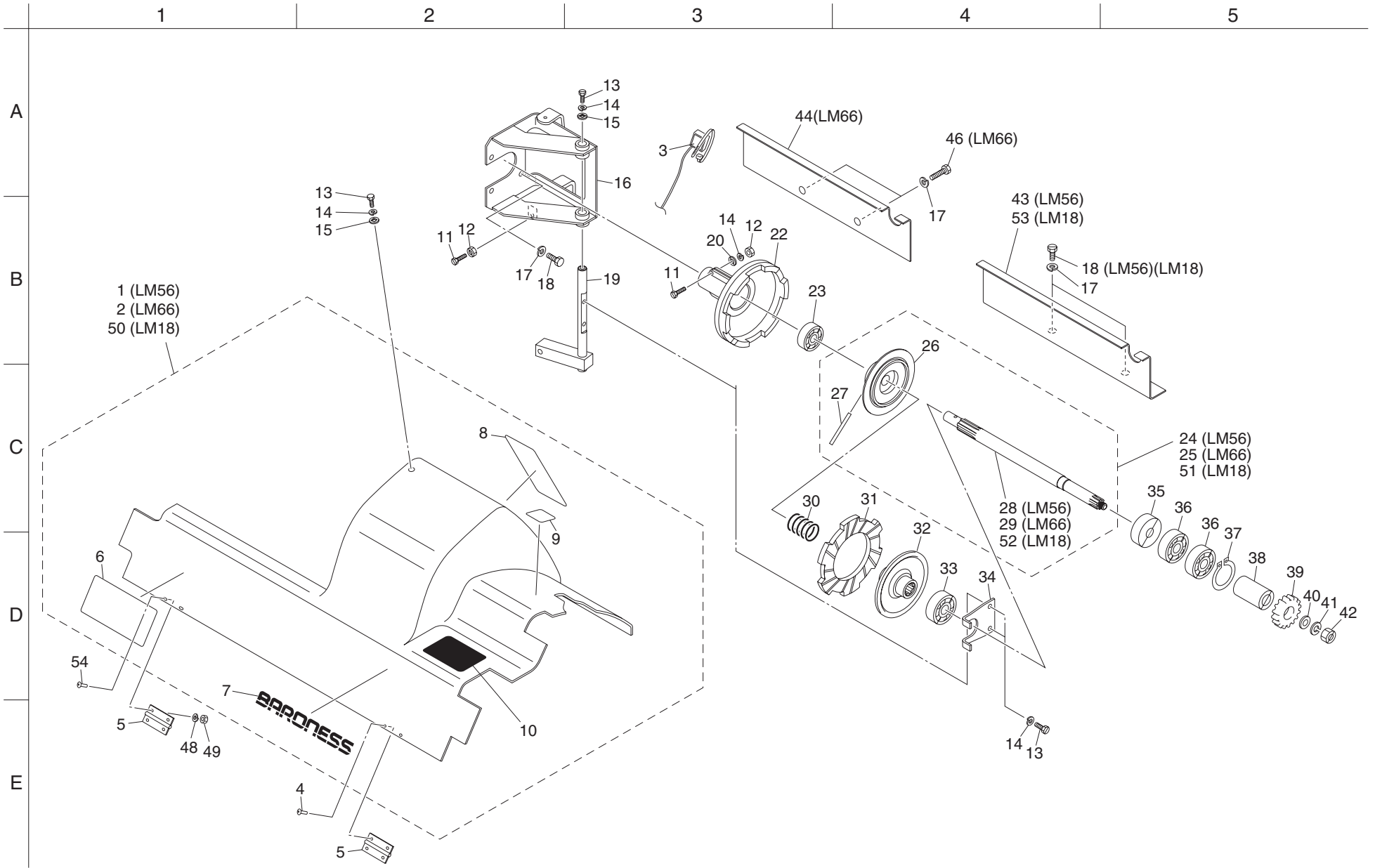
103 Drum Wheel



## 103 Drum Wheel

Catalog No.	Code No.	Part Name	Qty Unit			Pkg/Qty	Catalog No.	Code No.	Part Name	Qty Unit			Pkg/Qty
			LM18	LM56	LM66					LM18	LM56	LM66	
103-1	K1030000068	1.5U Hook Spring 8.535.5	2	2	2	2	103-36	K5010320282	0.3SPCC Washer 2028	0~2	0~2	0~2	6
103-2							103-37	K5011020282	1SPCC Washer 2028	0~2	0~2	0~2	4
103-3	K6082000023	8 Bolt 10	2	2	2	1	103-38						
103-4	LM55GB-0242C2	Wheel Mounting Plate	2	2	2	1	103-39						
103-5							103-40	LM18G--0202Z2	LM18G Intermediate Drum Shaft	1	0	0	1
103-6	K2020000050	Tire 4.10/3.50-6 Ass'y	2	2	2	1	103-41	K0000080402	8 Bolt 40	4	4	4	
103-7	LM55GD-0239ZD	Wheel Mounting Seat	2	2	2	1	103-42	K0000080152	8 Bolt 15	8	8	8	
103-8	LM56G--0207Z2	Wheel Driving Fitting	2	2	2	1	103-43	LM56GB-0201Z0	LM56G ND Drum Shaft Ass'y	0	1	0	
103-9	K0200080002	8S Washer	16	16	16	30	103-44	LM18GB-0201Z0	LM18G ND Drum Shaft Ass'y	1	0	0	
103-10	K0024080251	8 Hex. Socket Head Bolt 25	2	2	2	2	103-45	LM56GB-0202Z0	LM56G ND Drum	0	2	0	
103-11	K0500505280	5 Both-End Round Key 528	2	2	2	2	103-46	LM18GB-0202Z0	LM18G ND Drum	2	0	0	
103-12	K0500505160	5 Both-End Round Key 516	2	2	2	2							
103-13													
103-14	LM66G--0210B0	Drum Shaft Ass'y	0	0	1	1							
103-15	LM56G--0202Z2	Outer Drum Shaft	2	2	2	1							
103-16	K0000080252	8 Bolt 25	8	8	8	4							
103-17	K0401020001	Stop Ring S20	2	2	2	4							
103-18	K0613062040	Bearing 62042RDC3	2	2	2	2							
103-19	K0812040070	Oil Seal MHS20407	2	2	2	2							
103-20													
103-21	LM66G--0211Z0	Drum	0	0	2	1							
103-22	K0608060050	Bearing 60052RS	2	2	2	2							
103-23	K0823047080	Oil Seal MHSA30478	2	2	2	2							
103-24	LM56G--0212Z2	LM56 Intermediate Drum Shaft	0	1	0	1							
103-25	K6212002592	25.1STKM Collar 3021.5	1	1	1	1							
103-26	K0100080002	8 Nut	6	6	6	12							
103-27													
103-28	K2080000040	Wheel 3SP-6 COMP	2	2	2	1							
103-29	K2091000220	Tube 4.10 / 3.50-6	2	2	2	1							
103-30	K2021000030	Tire 4.10 / 3.50-6	2	2	2	1							
103-31	K0852540080	Oil Seal PJN25408	2	2	2	2							
103-32													
103-33	K0041080352	8+ Countersunk Head Screw 35	2	2	2	6							
103-34	LM66G--0212Z2	Intermediate Drum Shaft	0	0	1	1							
103-35	K5010525322	0.5SPCC Washer 2532	0~2	0~2	0~2	4							

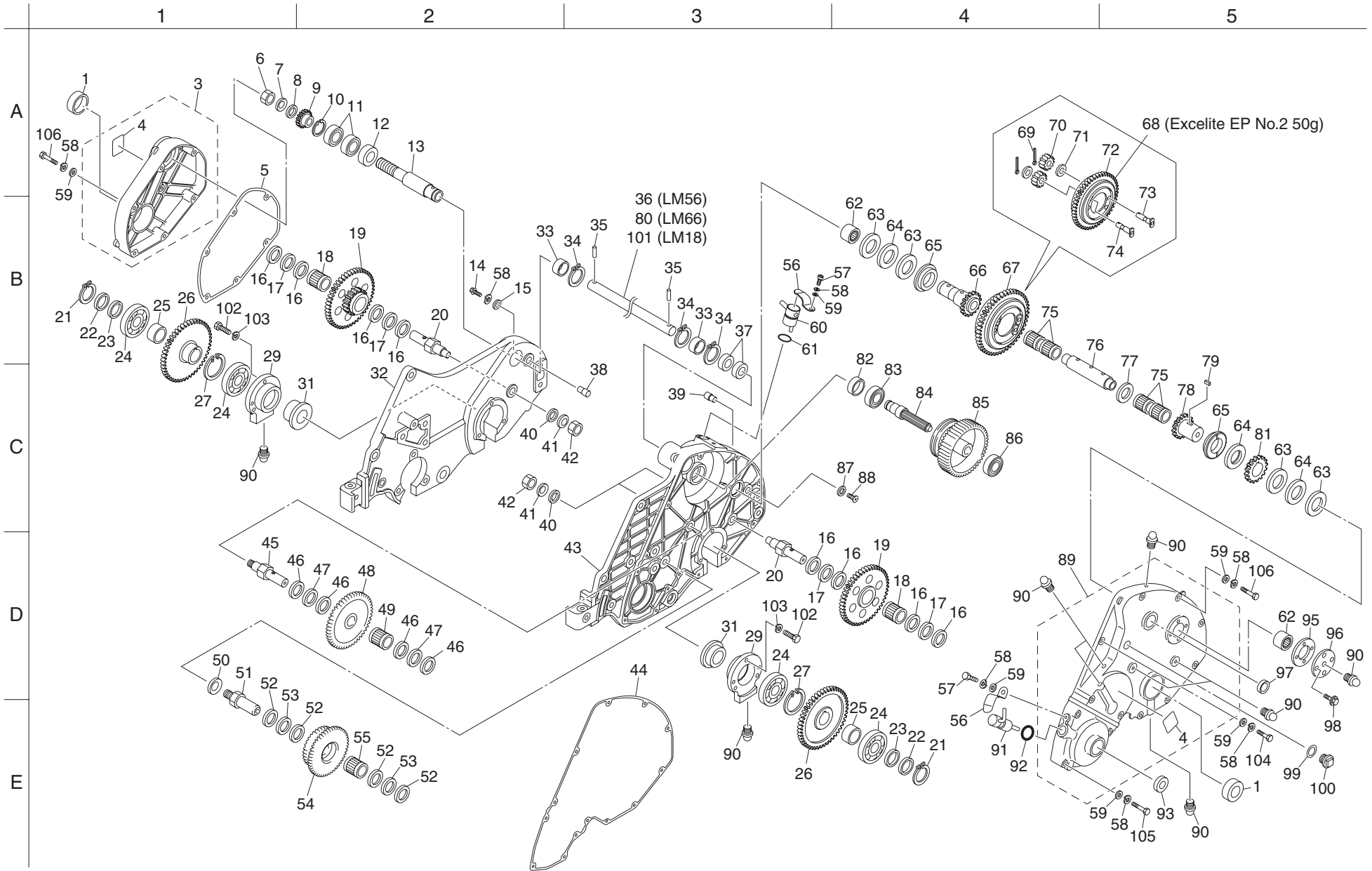
104 Clutch



## 104 Clutch

Catalog No.	Code No.	Part Name	Qty Unit			Pkg/Qty	Catalog No.	Code No.	Part Name	Qty Unit			Pkg/Qty
			LM18	LM56	LM66					LM18	LM56	LM66	
104-1	LM56G--2204Z0	Clutch Cover with Mark S	0	1	0	1	104-36	K0616062030	Bearing 62032NSEC3	2	2	2	2
104-2	LM66G--2204Z0	Clutch Cover with Mark S	0	0	1	1	104-37	K0402040001	Stop Ring R40	1	1	1	1
104-3	K3650000050	Hour meter PET 3200RK	1	1	1	1	104-38	K6212002600	17.1STKM Collar 2237.3	1	1	1	1
104-4	K4510615120	Rivet (AVEX 1661-0512)	6	6	6	12	104-39	K6180000140	16-Teeth Gear	1	1	1	1
104-5	K4520000120	Hinge Plate 4035 with 4.2 Hole	2	2	2	2	104-40	K5000100002	10 Washer	1	1	1	6
104-6	K4205001600	Danger Label	1	1	1	1	104-41	K0213100002	10 Disc Spring Washer 1H	1	1	1	20
104-7	K4201000330	BARONESS Label 240S	1	1	1	1	104-42	K0160000282	10 Nut 3P1OH1	1	1	1	4
104-8	K4205001590	Safety Instruction Label	1	1	1	1	104-43	LM56G--0307AR	Clutch Cover Receiver	0	1	0	1
104-9	K4203001110	Clutch Label	1	1	1	1	104-44	LM66G--0311AR	Clutch Cover Receiver	0	0	1	1
104-10	K4203001320	High / Low Selector Seal	1	1	1	1	104-45						
104-11	K0000060302	6 Bolt 30	2	2	2	6	104-46	K0000080202	8 Bolt 20	0	0	2	6
104-12	K0100060002	6 Nut	2	2	2	12	104-47						
104-13	K0000060152	6 Bolt 15	4	4	4	10	104-48	K0200040002	4S Washer	2	2	2	30
104-14	K0200060002	6S Washer	5	5	5	30	104-49	K0144040002	4U Nut	2	2	2	12
104-15	K5012306202	2.3 SPCC Washer 620	2	2	2	4	104-50	LM18G--2701Z0	Clutch Cover with Mark S	1	0	0	1
104-16	LM56G--2201ZD	Clutch Box S	1	1	1	1	104-51	LM18G--0305Z0	Clutch Shaft Ass'y 18	1	0	0	1
104-17	K0200080002	8S Washer	6	6	6	30	104-52	LM18G--0308Z2	Clutch Shaft 18	1	0	0	1
104-18	K0000080152	8 Bolt 15	6	6	6	12	104-53	LM18G--0307ZR	LM18G Clutch cover Receiver 18	1	0	0	1
104-19	LM56G--2202Z2	Clutch Lever S	1	1	1	1	104-54	K0042040152	4 +Round Head Screw 15	4	4	4	
104-20	K5000060002	6 Washer	1	1	1	12							
104-21													
104-22	K6911000050	Engine Clutch	1	1	1	1							
104-23	K0616062020	Bearing 62022NSEC3	1	1	1	2							
104-24	LM56G--0305Z0	Clutch Shaft Ass'y 56	0	1	0	1							
104-25	LM66G--0305Z0	Clutch Shaft Ass'y 66	0	0	1	1							
104-26	K6911000043	S Disc Receiver 15	1	1	1	1							
104-27	K0310050402	5 Tapered Pin 40	1	1	1	2							
104-28	LM56G--0308Z2	Clutch Shaft 56	0	1	0	1							
104-29	LM66G--0308Z2	Clutch Shaft 66	0	0	1	1							
104-30	K1000000160	3.5 Compression Spring 3415	1	1	1	1							
104-31	K1810000030	Clutch Disc	1	1	1	1							
104-32	K6911000092	Clutch Plate	1	1	1	1							
104-33	K0659000020	Release Bearing RCT2850	1	1	1	1							
104-34	LM56G--2203Z2	Support Plate S	1	1	1	1							
104-35	K0811930070	Oil Seal MHS19307	1	1	1	1							

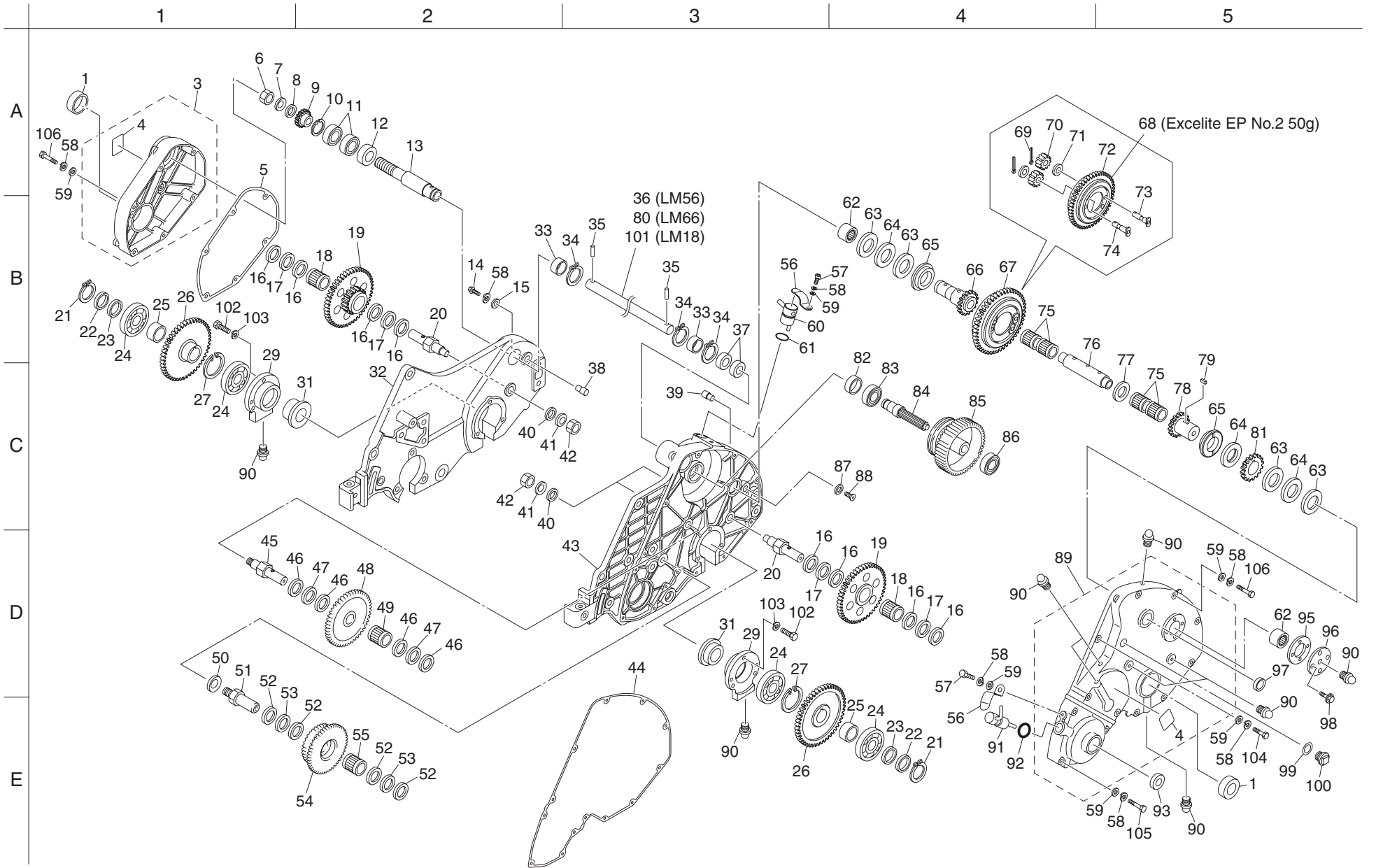
105 Frame & Transmission



## 105 Frame & Transmission

Catalog No.	Code No.	Part Name	Qty Unit			Pkg/Qty	Catalog No.	Code No.	Part Name	Qty Unit			Pkg/Qty
			LM18	LM56	LM66					LM18	LM56	LM66	
105-1	K0822047060	Oil Seal MHSA20476	2	2	2	2	105-36	LM56G--0205Z8	Transmission Shaft	0	1	0	1
105-2							105-37	K0870182640	Seal for Needle OS18264	2	2	2	2
105-3	LM56GA-0622Z0	Right Cover with Label	1	1	1	1	105-38	K6155000042	Handle Mounting pin R	1	1	1	1
105-4	K4209000370	Greasing 10-Hour Label	1	1	1	1	105-39	K6155000152	Handle Mounting pin L	1	1	1	1
105-5	LM56G--7702A0	Right Packing	1	1	1	1	105-40	K5000100002	10 Washer	3	3	3	20
105-6	K0183140002	14 Left-Hand Thread Nut P1.5	1	1	1	1	105-41	K0211100001	10 Disc Spring H	3	3	3	4
105-7	K0210140002	14 Disc Spring L	1	1	1	2	105-42	K0160000282	10 Nut 3P1OH1	3	3	3	4
105-8	K5000140002	14 Washer	1	1	1	12	105-43	LM56G--0601BR	Left Frame	1	1	1	1
105-9	K6188000010	18-Teeth Gear with Screw M2	1	1	1	1	105-44	LM56G--7701B0	Left Packing	1	1	1	1
105-10	K0402035001	Stop Ring R35	1	1	1	3	105-45	LM55GB-0201A0	#2 Shaft	1	1	1	1
105-11	K0616062020	Bearing 62022NSEC3	2	2	2	2	105-46	K5051013280	1C5191P Washer 1328	4	4	4	6
105-12	K0802030050	Oil Seal MH20305	1	1	1	2	105-47	K5020813280	0.8NBS55 Washer 1328	2	2	2	2
105-13	K6122000188	Right Transmission Shaft	1	1	1	1	105-48	LM56G--0103A0	46-Teeth Gear	1	1	1	1
105-14	K0000060152	6 Bolt 15	5	5	5	10	105-49	K0701317120	Needle KT131712	1	1	1	1
105-15	K5012306202	2.3 SPCC Washer 620	1	1	1	4	105-50	K0211120002	12 Disc Spring H	1	1	1	6
105-16	K5051013220	1C5191P Washer 1322	8	8	8	8	105-51	LM56G--6102Z0	Reel Countershaft	1	1	1	1
105-17	K5020813220	0.8NBS55 Washer 1322	4	4	4	4	105-52	K5051015280	1C5191P Washer 1528	4	4	4	6
105-18	K0711317200	Needle KTW131720	2	2	2	2	105-53	K5020815280	0.8NBS55 Washer 1528	2	2	2	2
105-19	LM55GB-0219C0	46-Teeth / 16-Teeth Gear	2	2	2	1	105-54	LM56G--6103Z0	36-Teeth / 45-Teeth Gear	1	1	1	1
105-20	LM56G--0204Z0	Drum Side #4 Shaft	2	2	2	1	105-55	K0701519180	Needle KT151918	1	1	1	1
105-21	K0401020001	Stop Ring S20	2	2	2	4	105-56	K1090000058	Clutch Retainer Spring	2	2	2	2
105-22	K5010320282	0.3SPCC Washer 2028	2	2	2	6	105-57	K0000060102	6 Bolt 10	2	2	2	12
105-23	K5011020282	1SPCC Washer 2028	2	2	2	4	105-58	K0200060002	6S Washer	26	26	26	30
105-24	K0601062040	Bearing 6204C3	4	4	4	4	105-59	K5000060002	6 Washer	25	25	25	12
105-25	K6212002610	20.2STKM Collar 25.411.2	2	2	2	1	105-60	LM56G--0206Z8	Changeover Clutch Lever	1	1	1	1
105-26	LM55GB-0221C0	46-Teeth axle Gear	2	2	2	1	105-61	K0880021000	O-Ring P21	1	1	1	3
105-27	K0402047001	Stop Ring R47	2	2	2	2	105-62	K0722210000	Needle TA2210Z	2	2	2	2
105-28							105-63	K5051022300	1C5191P Washer 2230	4	4	4	4
105-29	LM56GA-0615Z0	Drum Housing	2	2	2	1	105-64	K5020822300	0.8NBS55 Washer 2230	3	3	3	3
105-30							105-65	K6202000140	Differential Gear Bearing	2	2	2	2
105-31	K0830000020	Oil Seal 254210	2	2	2	4	105-66	LM55GB-0210A3	16-Teeth Right Differential Gear	1	1	1	1
105-32	LM56G--0602BR	Right Frame	1	1	1	1	105-67	K8000000030	50-Teeth Differential Gear Ass'y	1	1	1	1
105-33	K6211000312	18.2SGP Collar 21.715	2	2	2	2	105-68	K2931000400	Excelite EP No.2 (400g tube)	50g	50g	50g	20
105-34	K0403018001	Stop Ring Round S18	3	3	3	3	105-69	K0300025202	2.5 Cotter Pin 20	4	4	4	20
105-35	K0311040170	4 Needle Roller 17.8	2	2	2	2	105-70	K6191000040	Differential Pinion Gear 12	4	4	4	1

105 Frame & Transmission

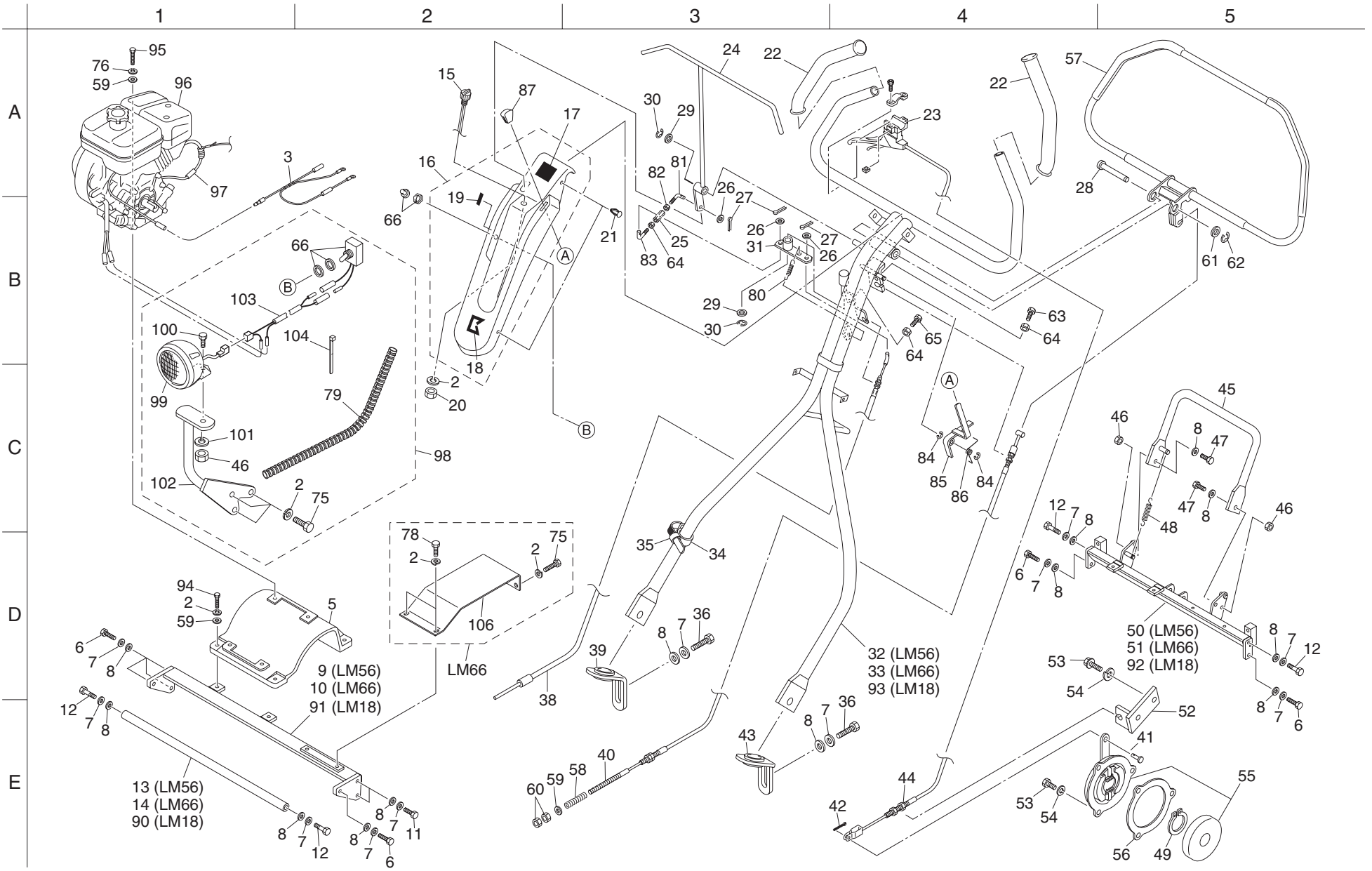


## 105 Frame & Transmission

Catalog No.	Code No.	Part Name	Qty Unit			Pkg/Qty	Catalog No.	Code No.	Part Name	Qty Unit			Pkg/Qty
			LM18	LM56	LM66					LM18	LM56	LM66	
105-71	K6211000180	7SGP Collar 10.57	4	4	4	4	105-106	K0000060452	6 Bolt 45	12	12	12	
105-72	K7001000020	Differential 50-Teeth Gear	1	1	1	1							
105-73	K6033000060	Differential Pin 7.5	2	2	2	2							
105-74	K6033000070	Differential Pin 15	2	2	2	2							
105-75	K0701013100	Needle KT101310	4	4	4	5							
105-76	K6150000150	10 Differential Pin 55	1	1	1	1							
105-77	K5051010220	1C5191P Washer 1022	1	1	1	1							
105-78	LM55GB-0209C0	16-Teeth Left Differential Gear	1	1	1	1							
105-79	K0520504060	5 One-End Round Key 46.3	1	1	1	1							
105-80	LM66G--0205Z8	Transmission Shaft	0	0	1	1							
105-81	LM55GB-0214A0	18-Teeth Left Gear	1	1	1	1							
105-82	K0811528070	Oil Seal MHS15287	1	1	1	2							
105-83	K0612060020	Bearing 60022RD	1	1	1	1							
105-84	LM56G--0108Z0	#2 Shaft	1	1	1	1							
105-85	LM56G--0102A0	51-Teeth Gear	1	1	1	1							
105-86	K0612060010	Bearing 60012RD	1	1	1	1							
105-87	LM55GB-0614Z3	Handle Pin Washer	1	1	1	1							
105-88	K0041060122	6+ Countersunk Head Screw 12	1	1	1	6							
105-89	LM56GA-0621Z0	Left Cover with Label	1	1	1	1							
105-90	K1440000010	Grease Nipple	8	8	8	16							
105-91	LM56G--6202Z8	High / Low Selector Lever	1	1	1	1							
105-92	K0880018000	O-Ring P18	1	1	1	6							
105-93	K0821228070	Oil Seal MHSA12287	1	1	1	1							
105-94													
105-95	LM55GB-0208Z0	3-Shaft Packing	1	1	1	1							
105-96	LM55GB-0217Z0	Bearing Retainer	1	1	1	1							
105-97	K0890000030	Plug 25	1	1	1	1							
105-98													
105-99	K4010217250	2 Oil Seat 17.525	1	1	1	6							
105-100	K1400000010-Y	Oil Plug 18	1	1	1	1							
105-101	LM18G--0205Z8	LM18G Transmission Shaft	1	0	0	1							
105-102	K0000080302	8 Bolt 30	6	6	6								
105-103	K0200080002	8S Washer	6	6	6								
105-104	K0000060252	6 Bolt 25	1	1	1								
105-105	K0000060602	6 Bolt 60	6	6	6								



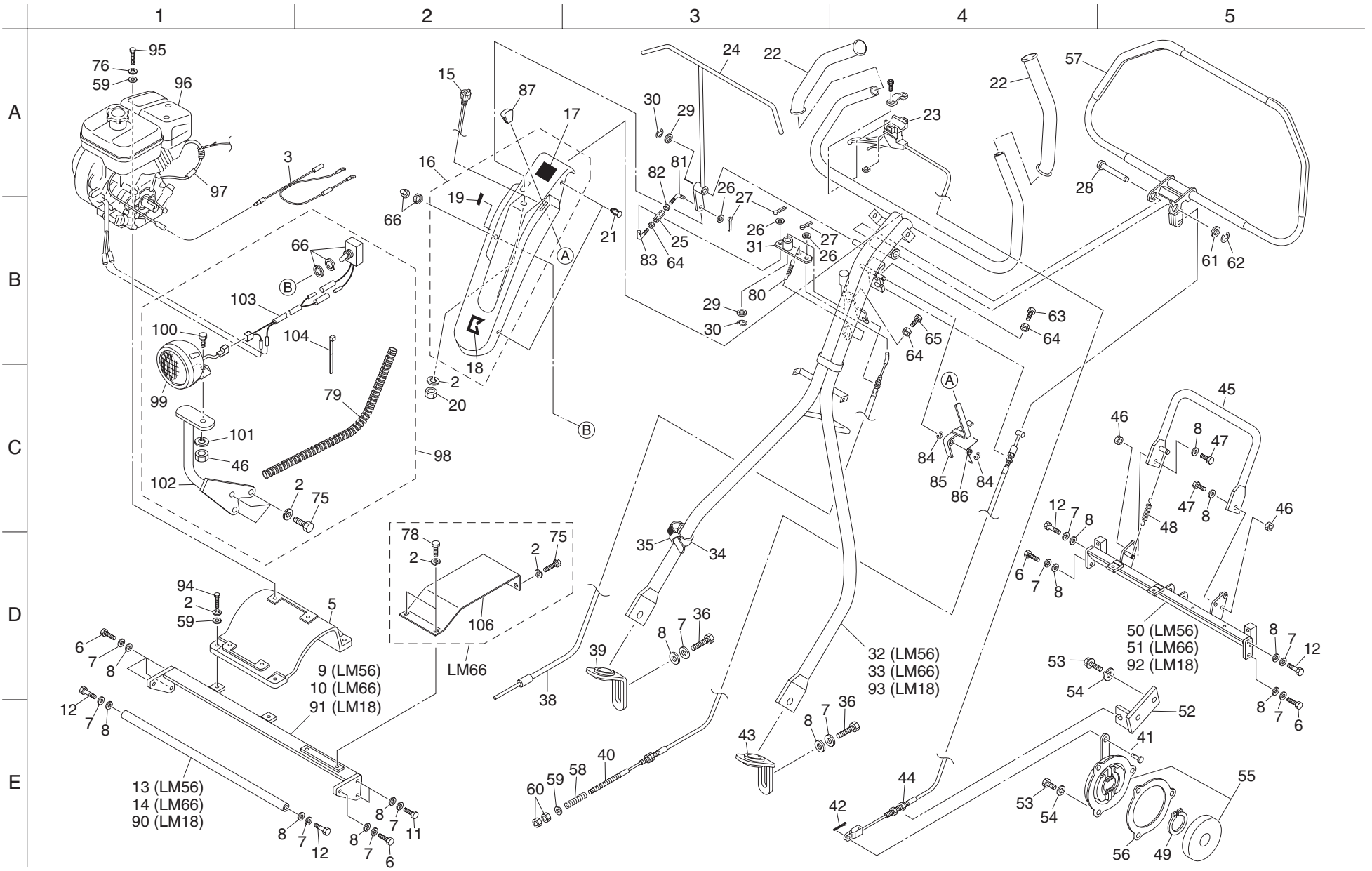
106a Handle, Engine & Brake



## 106a Handle, Engine & Brake

Catalog No.	Code No.	Part Name	Qty Unit			Pkg/Qty	Catalog No.	Code No.	Part Name	Qty Unit			Pkg/Qty
			LM18	LM56	LM66					LM18	LM56	LM66	
106a-1													
106a-2	K0200080002	8S Washer	17	17	17	30	106a-36	K0010100252	10 Heat-Treated Bolt 25	2	2	2	2
106a-3	K3620000550	Engine Switch Cord 8A	1	1	1	1	106a-37						
106a-4							106a-38	K1110090010	Throttle Wire 900	1	1	1	1
106a-5	K6810000060	Engine Base M	1	1	1	1	106a-39	LM55GB-0716E0	Right Handle Adjuster	1	1	1	1
106a-6	K0000100352	10 Bolt 35	6	6	6	6	106a-40	K1130120000	Clutch Wire 1200	1	1	1	1
106a-7	K0213100002	10 Disc Spring Washer 1H	14	14	14	20	106a-41	K6030050122	5 Flat Head Pin 12	2	2	2	2
106a-8	K5000100002	10 Washer	16	16	16	20	106a-42	K0300020122	2 Cotter Pin 12	2	2	2	20
106a-9	LM56GB-0706ZR	LM56 Front Frame Stay	0	1	0	1	106a-43	LM55GB-0715E0	Left Handle Adjuster	1	1	1	1
106a-10	LM66GB-0706ZR	Front Frame Stay	0	0	1	1	106a-44	K1120136900	Brake Wire 1369	1	1	1	1
106a-11	K0000100302	10 Bolt 30	2	2	2	4	106a-45	LM56G--0708ZD	Stand	1	1	1	1
106a-12	K0071000592	M10 Knock Bolt 40	4	4	4	4	106a-46	K0100100002	10 Nut	3	3	3	10
106a-13	LM56G--0705Z2	LM56 Front Stay Pipe	0	1	0	1	106a-47	K0000100252	10 Bolt 25	2	2	2	6
106a-14	LM66G--0705Z2	Front Stay pipe	0	0	1	1	106a-48	K1020000198	2.6 Round Head Hook Spring 15.584	1	1	1	1
106a-15	K3662000050	Engine Switch	1	1	1	1	106a-49	K0401014001	Stop Ring S14	1	1	1	6
106a-16	LM56G--7810Z0	A Handle Cover with "K" Logo	1	1	1	1	106a-50	LM56GB-0707ZR	Rear Frame Stay	0	1	0	1
106a-17	K4205001610	Operator Warning Label	1	1	1	1	106a-51	LM66GB-0707ZR	Rear Frame Stay	0	0	1	1
106a-18	K4201000590	"K" Logo	1	1	1	1	106a-52	LM56G--1102Z2	Wire Mounting Bracket	1	1	1	1
106a-19	K4203001140	ON/OFF Label	1	1	1	2	106a-53	K0000060152	6 Bolt 15	5	5	5	10
106a-20	K0100080002	8 Nut	1	1	1	12	106a-54	K0200060002	6S Washer	5	5	5	30
106a-21	K4021000010	Anchor Clip 7.5	4	4	4	4	106a-55	K1720000150	Brake Ass'y 62	1	1	1	1
106a-22	K1300000250	22 Handle Grip 256	2	2	2	1	106a-56	K4019000020	Brake Cover Packing	1	1	1	1
106a-23	K1211380040	Clutch Lever E138004	1	1	1	1	106a-57	LM56G--7804AD	Clutch Lever	1	1	1	1
106a-24	LM56G--7806BD	T-Throttle Lever 2008	1	1	1	1	106a-58	K100000082D	2.6 Compression Spring 17.270	1	1	1	1
106a-25	LM56G--7814Z2	M6 Adjusting Nut 30	1	1	1	1	106a-59	K5000080002	8 Washer	9	9	9	12
106a-26	K5000050002	5 Washer	1	1	1	20	106a-60	K0100080002	8 Nut	3	3	3	12
106a-27	K0300016122	1.6 Cotter Pin 12	3	3	3	12	106a-61	K5051016240	1C5191P Washer 1624	1	1	1	3
106a-28	LM56G--7805Z2	Clutch Lever Shaft	1	1	1	1	106a-62	K0400012002	Stop Ring E12	1	1	1	6
106a-29	K5011011182	1SPCC Washer 1118	2	2	2	6	106a-63	K0000060402	6 Bolt 40	1	1	1	6
106a-30	K0400008002	Stop Ring E8	2	2	2	6	106a-64	K0100060002	6 Nut	3	3	3	12
106a-31	LM56G--7816ZD	Connection Plate	1	1	1	1	106a-65	K0000060202	6 Bolt 20	1	1	1	6
106a-32	LM56G--7801BD	A Handle 56	0	1	0	1	106a-66	K3662000100	Headlight Switch WD101181	1	1	1	1
106a-33	LM66G--7801BD	A Handle 66	0	0	1	1	106a-67						
106a-34	K4241000010	Nylon Band 140	3	3	3	4	106a-68						
106a-35	K4241000070	Urethane Tube 7	3	3	3	6	106a-69						
							106a-70						

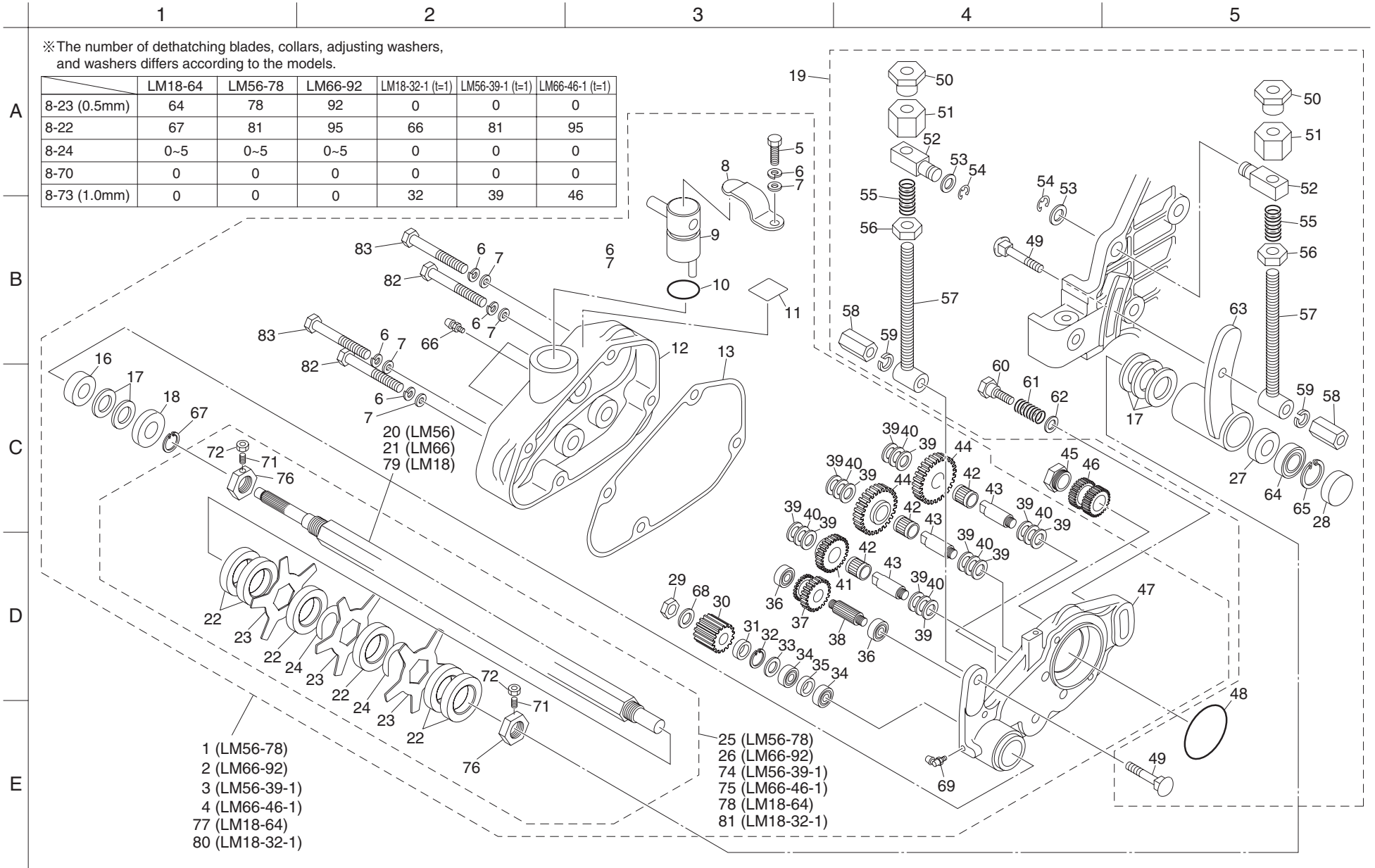
106a Handle, Engine & Brake



## 106a Handle, Engine & Brake

Catalog No.	Code No.	Part Name	Qty Unit			Pkg/Qty	Catalog No.	Code No.	Part Name	Qty Unit			Pkg/Qty
			LM18	LM56	LM66					LM18	LM56	LM66	
106a-71													
106a-72													
106a-73													
106a-74													
106a-75	K0000080202	8 Bolt 20	3	3	5	6							
106a-76													
106a-77													
106a-78	K0000080152	8 Bolt 15	0	0	2	12							
106a-79	K3195008300	Corrugated Tube 830	1	1	1	1							
106a-80	K1040000068	1 Hook Spring 1052	1	1	1	1							
106a-81	LM56G--7813Z2	6 Adjusting Rod 30B	1	1	1	1							
106a-82	K0180060002	6 Left-Hand Thread Nut	1	1	1	6							
106a-83	LM56G--7812Z2	6 Adjusting Rod 30A	1	1	1	1							
106a-84	K0400006002	Stop Ring E6	2	2	2	10							
106a-85	LM56G--7815ZD	Safety Lock Lever	1	1	1	1							
106a-86	K1050000078	1.8 Lock Spring 11.6	1	1	1	1							
106a-87	K1320000130	Lever Cap	1	1	1	1							
106a-88													
106a-89													
106a-90	LM18G--0705Z2	LM18G Front Stay Pipe	1	0	0	1							
106a-91	LM18GB-0706ZR	LM18G Front Frame Stay	1	0	0	1							
106a-92	LM18GB-0707ZR	LM18G Rear Frame Stay	1	0	0	1							
106a-93	LM18G--7801AD	A Handle 18	1	0	0	1							
106a-94	K0000080302	8 Bolt 30	4	4	4								
106a-95	K0000080402	8 Bolt 40	4	4	4								
106a-96	K2620000490	SUBARU EX13D	1	1	1								
106a-97	K3770000010	Ferrite Core	1	1	1								
106a-98	LM56GB-2901Z0	Headlight Kit	1	1	1								
106a-99	K3640000060	Wark Lamp V31623A	1	1	1								
106a-100	K0000100202	10 Bolt 20	1	1	1								
106a-101	K0200100002	10S Washer	1	1	1								
106a-102	K735500067D	Headlamp Bracket	1	1	1								
106a-103	K3620000860	Electrical Wire1050	1	1	1								
106a-104	K4241000060	Banding band TRCV-160LV	1	1	1								
106a-105	K3642000040	Bulb H3-12V35W	1	1	1								

107 Groomer & De-Thatcher



※The number of dethatching blades, collars, adjusting washers, and washers differs according to the models.

	LM18-64	LM56-78	LM66-92	LM18-32-1 (t=1)	LM56-39-1 (t=1)	LM66-46-1 (t=1)
8-23 (0.5mm)	64	78	92	0	0	0
8-22	67	81	95	66	81	95
8-24	0~5	0~5	0~5	0	0	0
8-70	0	0	0	0	0	0
8-73 (1.0mm)	0	0	0	32	39	46

A

B

C

D

E

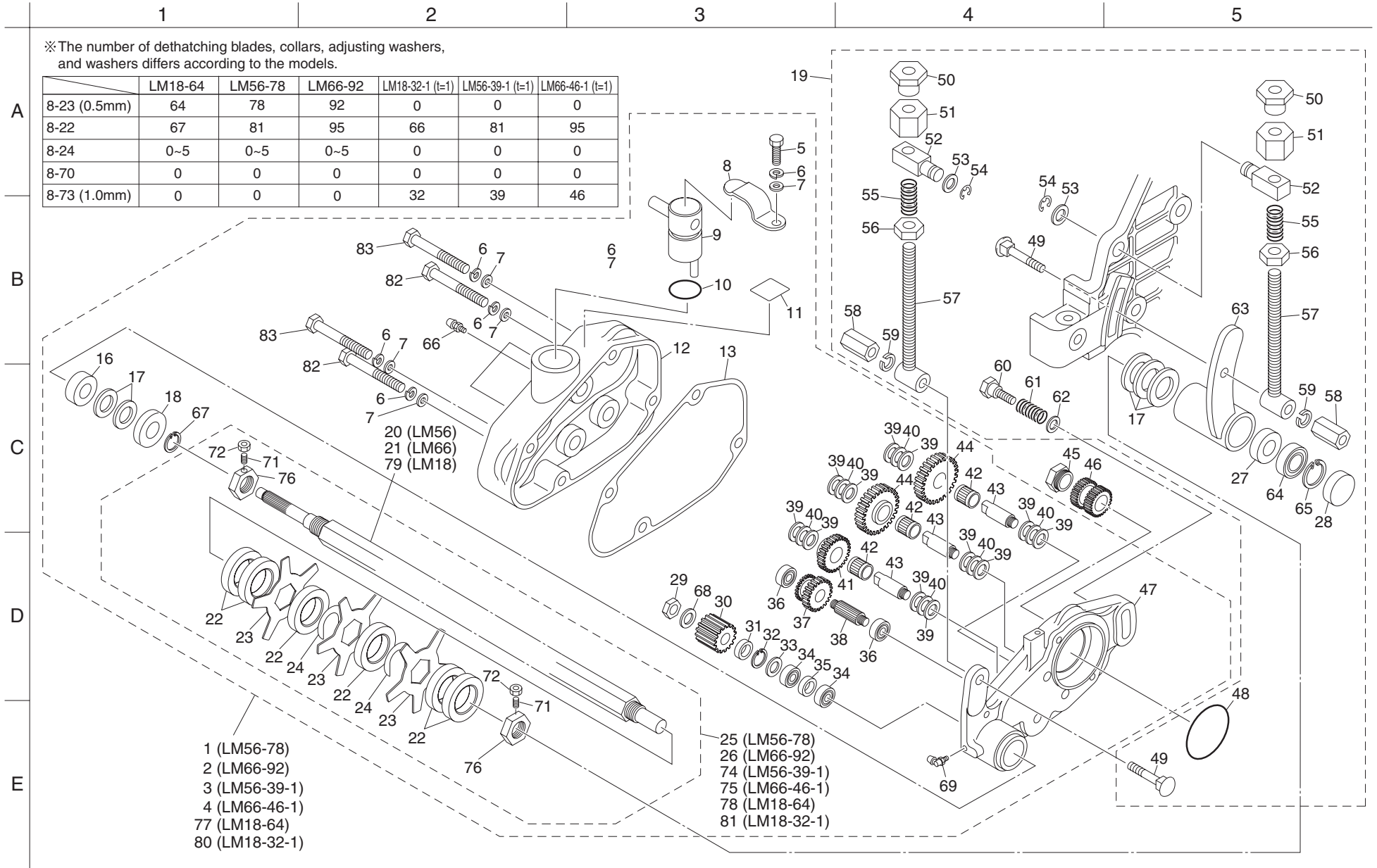
- 1 (LM56-78)
- 2 (LM66-92)
- 3 (LM56-39-1)
- 4 (LM66-46-1)
- 77 (LM18-64)
- 80 (LM18-32-1)

- 25 (LM56-78)
- 26 (LM66-92)
- 74 (LM56-39-1)
- 75 (LM66-46-1)
- 78 (LM18-64)
- 81 (LM18-32-1)

## 107 Groomer & De-Thatcher

Catalog No.	Code No.	Part Name	Qty Unit			Pkg/Qty	Catalog No.	Code No.	Part Name	Qty Unit			Pkg/Qty
			LM18	LM56	LM66					LM18	LM56	LM66	
107-1	LM56G--8001Z0	LM56 Groomer Ass'y	0	1	0	1	107-36	K0608060000	Bearing 60002RS	2	2	2	2
107-2	LM66G--8001Z0	LM66 Groomer Ass'y	0	0	1	1	107-37	K6180000150	23-Teeth Clutch Gear	1	1	1	1
107-3	LM56G--8801Z0	LM56 De-Thatcher Ass'y	0	1	0	1	107-38	K6100000100	Clutch Shaft	1	1	1	1
107-4	LM66T--8001Z0	LM66 De-Thatcher Ass'y	0	0	1	1	107-39	K5051010160	1C5191P Washer 1016	12	12	12	12
107-5	K0000060102	6 Bolt 10	1	1	1	12	107-40	K5020810160	0.8NBS55 Washer 1016	6	6	6	6
107-6	K0200060002	6S Washer	5	5	5	30	107-41	K6186000040	18-Teeth Gear B	1	1	1	1
107-7	K5000060002	6 Washer	5	5	5	12	107-42	K0701013100	Needle KT101310	3	3	3	5
107-8	K1090000058	Clutch Retainer Spring	1	1	1	2	107-43	K6120000310	Intermediate Shaft	3	3	3	3
107-9	K7321000148	Vertical Clutch Lever	1	1	1	1	107-44	K6186000050	24-Teeth Gear	2	2	2	1
107-10	K0880018000	O-Ring P18	1	1	1	6	107-45	LM56G--1208A0	Reel Gear Securing Nut	1	1	1	1
107-11	K4203001120	Groomer Indication Label	1	1	1	1	107-46	LM56G--1204Z0	20-Teeth Gear	1	1	1	1
107-12	K690200004R	Gear Case Cover	1	1	1	1	107-47	K680100001R	Vertical Gear Case DT	1	1	1	1
107-13	LM56G--8002A0	Gear Case Cover Packing	1	1	1	1	107-48	K0882045000	O-Ring G45	1	1	1	3
107-14							107-49	K0025080552	8 Sq. Root Round Head Bolt 55	2	2	2	2
107-15							107-50	LM56G--1216Z2	8 Special Nut B	2	2	2	1
107-16	K0821522070	Oil Seal MHSA15227	1	1	1	2	107-51	LM56G--1215Z2	8 Special Nut A	2	2	2	1
107-17	K5051015280	1C5191P Washer 1528	5	5	5	6	107-52	LM56G--1217Z2	Adjusting Bush	2	2	2	1
107-18	K5300000293	Dustproof Cover	1	1	1	1	107-53	K5011013222	1SPCC Washer 1322	2	2	2	2
107-19	LM56GA-2907A0	Front Attachment Parts Kit	1	1	1	1	107-54	K0400010002	Stop Ring E10	2	2	2	6
107-20	K6084000118	Vertical Blades Shaft	0	1	0	1	107-55	K1000000238	1.4 Compression Spring 13.432	2	2	2	2
107-21	LM66G--1211Z8	LM66 Vertical Blades Shaft	0	0	1	1	107-56	K0100080002	8 Nut	2	2	2	12
107-22	K6214000030	19.7 AC Collar 326.1	67	81	95	1	107-57	LM56G--1218Z2	Adjusting Screw 108	1	1	1	1
107-23	K2570000019	Groomer Blade	64	78	92	5	107-58	K0149083202	8-13 Tall Nut 20	2	2	2	6
107-24	K5090000673	0.5SPCC Adjusting Washer	0~5	0~5	0	5	107-59	K0200080002	8S Washer	2	2	2	30
107-25	LM56G--1219Z0	LM 56 Groomer COMP	0	1	0	1	107-60	K6083000143	Right Case Locking Bolt	1	1	1	1
107-26	LM66G--1219Z0	LM 66 Groomer COMP	0	0	1	1	107-61	K1000000309	1.6 Compression Spring 13.720	1	1	1	3
107-27	K0821525070	Oil Seal MHSA15257	1	1	1	5	107-62	K5090000250	2C5191P Washer 8.522	1	1	1	1
107-28	K0890000060	Stopper 30	1	1	1	1	107-63	LM56G--1212CR	Left Vertical Housing	1	1	1	1
107-29	K0160000322	10 Left-Hand Thread Nut P1	1	1	1	6	107-64	K0608069020	Bearing 69022RS	1	1	1	1
107-30	K6180000160	20-Tooth Vertical Gear	1	1	1	1	107-65	K0402028001	Stop Ring R28	1	1	1	3
107-31	K6212001910	12.1 STKM Collar 176	1	1	1	1	107-66	K1440000010	Grease Nipple	3	3	3	16
107-32	K0402024001	Stop Ring R24	1	1	1	3	107-67	K0401015001	Stop Ring S15	1	1	1	6
107-33	K0220160110	16011 Corrugated Washer	1	1	1	6	107-68	K0213100002	10 Disc Spring Washer 1H	1	1	1	20
107-34	K0611069010	Bearing 6901RDC3	2	2	2	2	107-69	K1440000020	C-Type Grease Nipple	1	1	1	2
107-35	K6212001590	12.1 STKM Collar 1714	1	1	1	1	107-70	K5090000652	0.5SPCC Washer 19.732	0	0	0	3

107 Groomer & De-Thatcher



※The number of dethatching blades, collars, adjusting washers, and washers differs according to the models.

	LM18-64	LM56-78	LM66-92	LM18-32-1 (t=1)	LM56-39-1 (t=1)	LM66-46-1 (t=1)
8-23 (0.5mm)	64	78	92	0	0	0
8-22	67	81	95	66	81	95
8-24	0~5	0~5	0~5	0	0	0
8-70	0	0	0	0	0	0
8-73 (1.0mm)	0	0	0	32	39	46

- 1 (LM56-78)
- 2 (LM66-92)
- 3 (LM56-39-1)
- 4 (LM66-46-1)
- 77 (LM18-64)
- 80 (LM18-32-1)

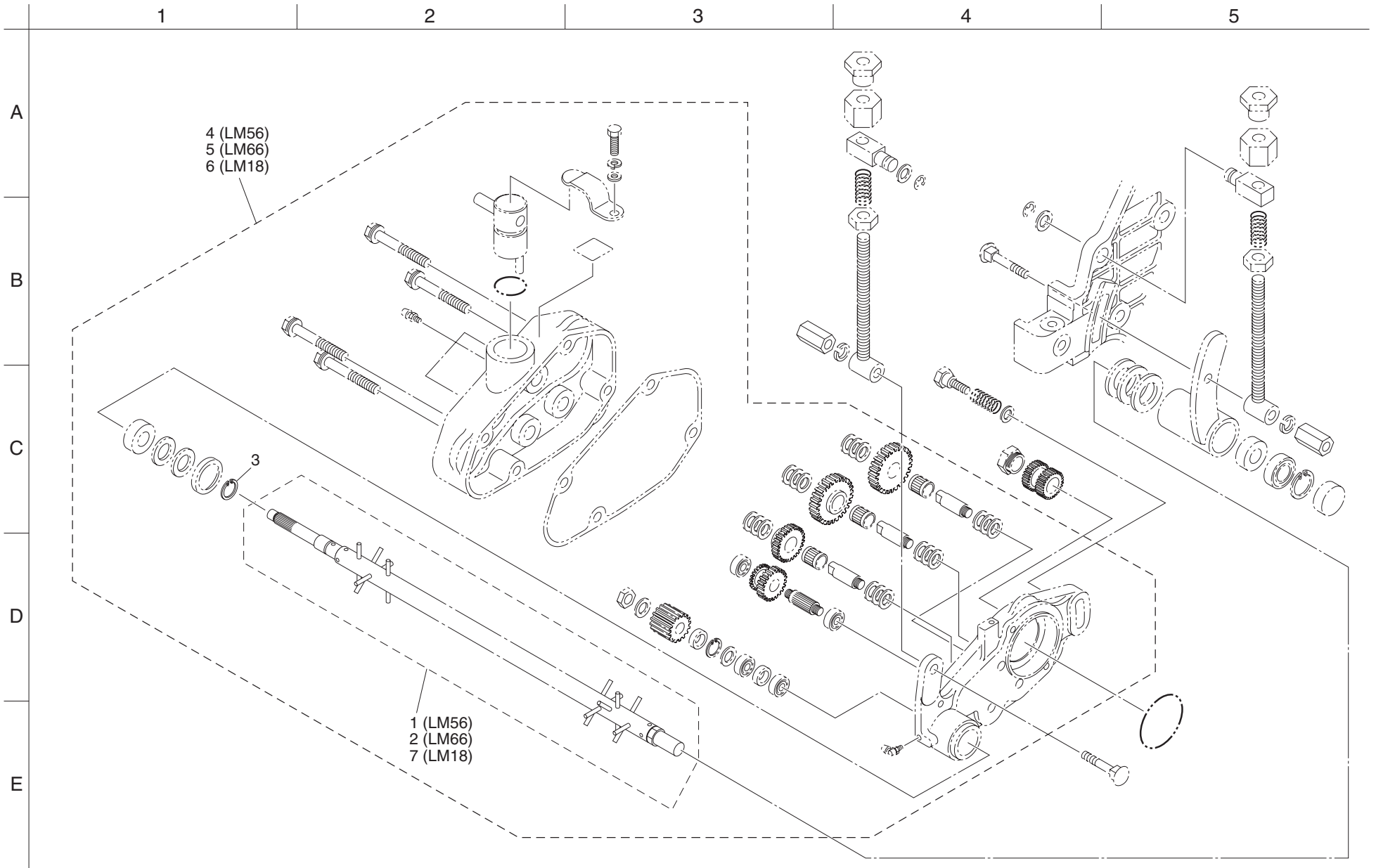
- 25 (LM56-78)
- 26 (LM66-92)
- 74 (LM56-39-1)
- 75 (LM66-46-1)
- 78 (LM18-64)
- 81 (LM18-32-1)

## 107 Groomer & De-Thatcher

Catalog No.	Code No.	Part Name	Qty Unit			Pkg/Qty	Catalog No.	Code No.	Part Name	Qty Unit			Pkg/Qty
			LM18	LM56	LM66					LM18	LM56	LM66	
107-71	K0023000041	4 Hollow Set 8	2	2	2	2							
107-72	K0100040002	4 Nut	2	2	2	12							
107-73	K2570000099	De-Thatching Blade 63-1	32	39	46	5							
107-74	LM56G--2102Z0	LM56 De-Thatcher COMP	0	1	0	1							
107-75	LM66G--2102Z0	LM66 De-Thatcher COMP	0	0	1	1							
107-76	K0160000602	17 Special Nut P1M4	2	2	2	2							
107-77	LM18G--2906Z0	LM18G Groomer Ass'y	1	0	0	1							
107-78	LM18G--1219Z0	LM18G Groomer COMP	1	0	0	1							
107-79	LM18G--1201Z8	LM18G Vertical Blades Shaft	1	0	0	1							
107-80	LM18G--2907Z0	LM18G De-Thatcher Ass'y	1	0	0	1							
107-81	LM18G--2102Z0	LM18G De-Thatcher COMP	1	0	0	1							
107-82	K0000060402	6 Bolt 40	2	2	2								
107-83	K0000060502	6 Bolt 50	2	2	2								



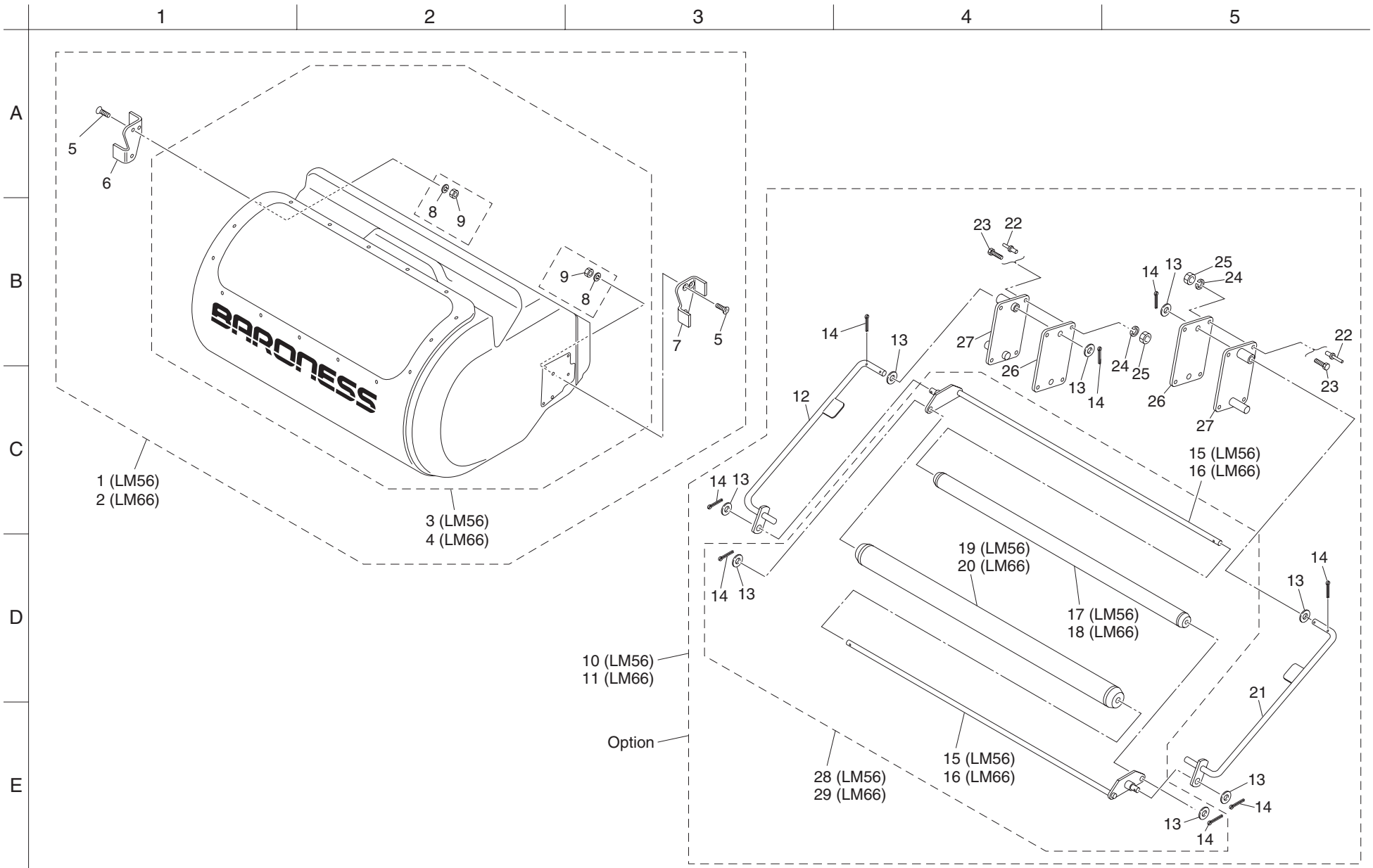
108 Rotary Brush



### 108 Rotary & Brush

Catalog No.	Code No.	Part Name	Qty Unit			Pkg/Qty	Catalog No.	Code No.	Part Name	Qty Unit			Pkg/Qty
			LM18	LM56	LM66					LM18	LM56	LM66	
108-1	K4150000190	LM56 Rotary Brush COMP	0	1	0	1							
108-2	LM66G--1404A0	LM66 Rotary Brush COMP	0	0	1	1							
108-3	K0401015001	Stop Ring S15	1	1	1	6							
108-4	LM56G--8701Z0	LM56 Rotary Brush Ass'y	0	1	0	1							
108-5	LM66G--8701Z0	LM66 Rotary Brush Ass'y	0	0	1	1							
108-6	K4150000210	LM18G Rotary Brush Ass'y	1	0	0	1							
108-7	LM18G--2908Z0	LM18G Rotary Brush COMP	1	0	0	1							

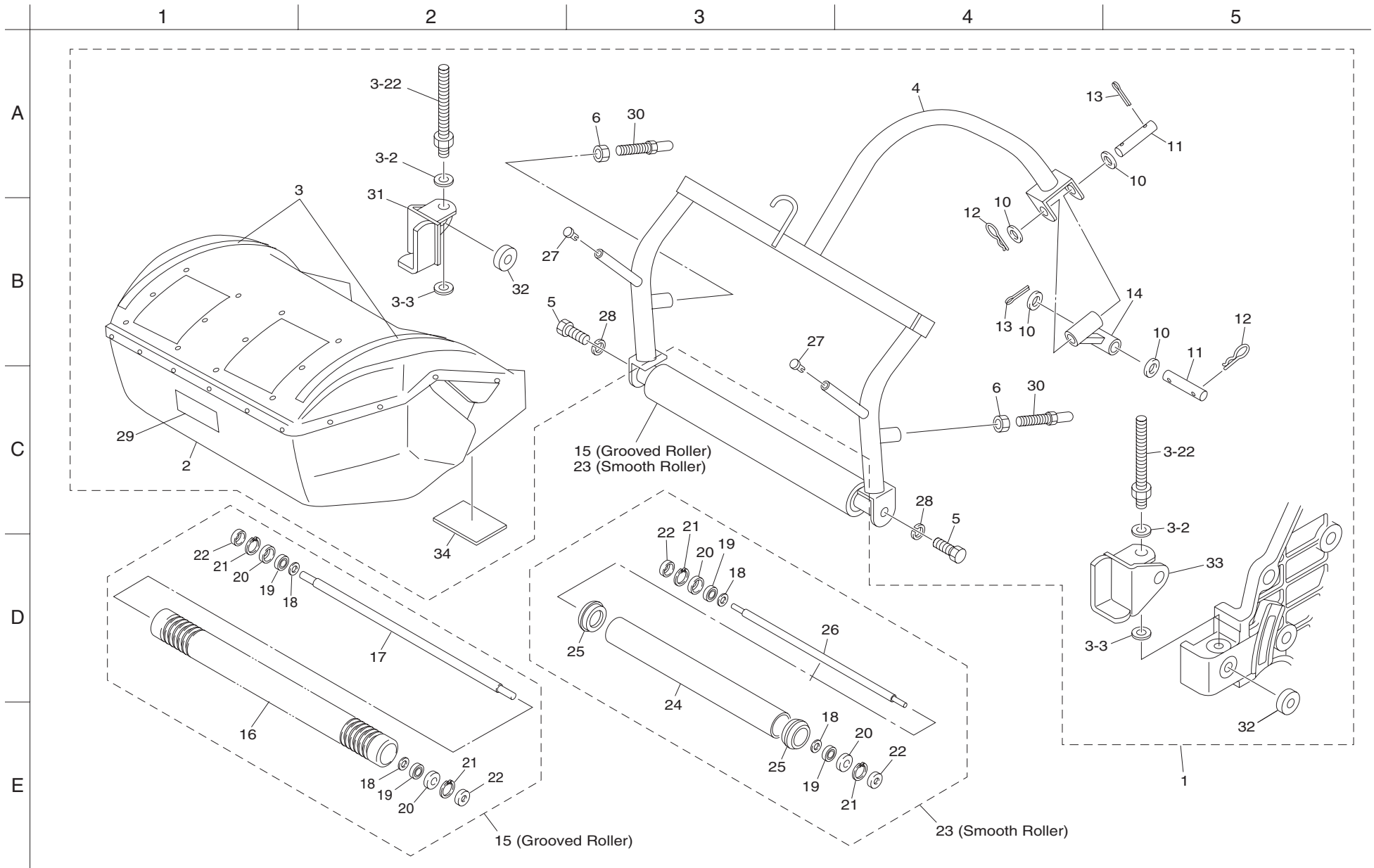
# 109a Grass Catcher & Dew Roller



## 109a Grass Catcher & Dew Roller

Catalog No.	Code No.	Part Name	Qty Unit			Pkg/Qty	Catalog No.	Code No.	Part Name	Qty Unit			Pkg/Qty
			LM18	LM56	LM66					LM18	LM56	LM66	
109a-1	LM56G--8101Z0	Grass Catcher 56 Ass'y	0	1	0	1							
109a-2	LM66G--8101Z0	Grass Catcher 66 Ass'y	0	0	1	1							
109a-3	LM56G--8103Z0	Grass Catcher 56 COMP	0	1	0	1							
109a-4	LM66G--8103Z0	Grass Catcher 66 COMP	0	0	1	1							
109a-5	K0041060202	6+ Countersunk Head Screw 20	0	4	4	6							
109a-6	K527600002D	Right Latch	0	1	1	1							
109a-7	K527600001D	Left Latch	0	1	1	1							
109a-8	K0200060002	6S Washer	0	4	4	30							
109a-9	K0100060002	6 Nut	0	4	4	12							
109a-10	1239400	LM56 Dew Roller Kit	0	1	0	1							
109a-11	1256500	LM66 Dew Roller Kit	0	0	1	1							
109a-12	LM56G--7609Z3	Right Roller Arm	0	1	1	1							
109a-13	K5000080002	8 Washer	0	10	10	12							
109a-14	K0302020160	2 Stainless Cotter Pin 16	0	8	8	12							
109a-15	LM56G--7630Z3	LM56 Connection Fitting	0	2	0	1							
109a-16	LM66G--7630Z3	LM66 Connection Fitting	0	0	2	1							
109a-17	LM56G--7632Z0	LM56 Roller 34	0	1	0	1							
109a-18	LM66G--7632Z0	LM66 Roller 34	0	0	1	1							
109a-19	LM56G--7631Z0	LM56 Roller 48	0	1	0	1							
109a-20	LM66G--7631Z0	LM66 Roller 48	0	0	1	1							
109a-21	LM56G--7608Z3	Left Roller Arm	0	1	1	1							
109a-22	K4510615160	Rivet (AVEX 1661-0516)	0	8	8	12							
109a-23	K0042040122	4+ Round Head Screw 12	0	8	8	12							
109a-24	K0200040002	4S Washer	0	8	8	30							
109a-25	K0100040002	4 Nut	0	8	8	12							
109a-26	K5116000213	Mounting Plate	0	2	2	1							
109a-27	LM56G--7606Z3	Fulcrum Fitting	0	2	2	1							
109a-28	LM56G--7633Z0	LM56 Dew Roller COMP	0	1	0	1							
109a-29	LM66G--7633Z0	LM66 Dew Roller COMP	0	0	1	1							

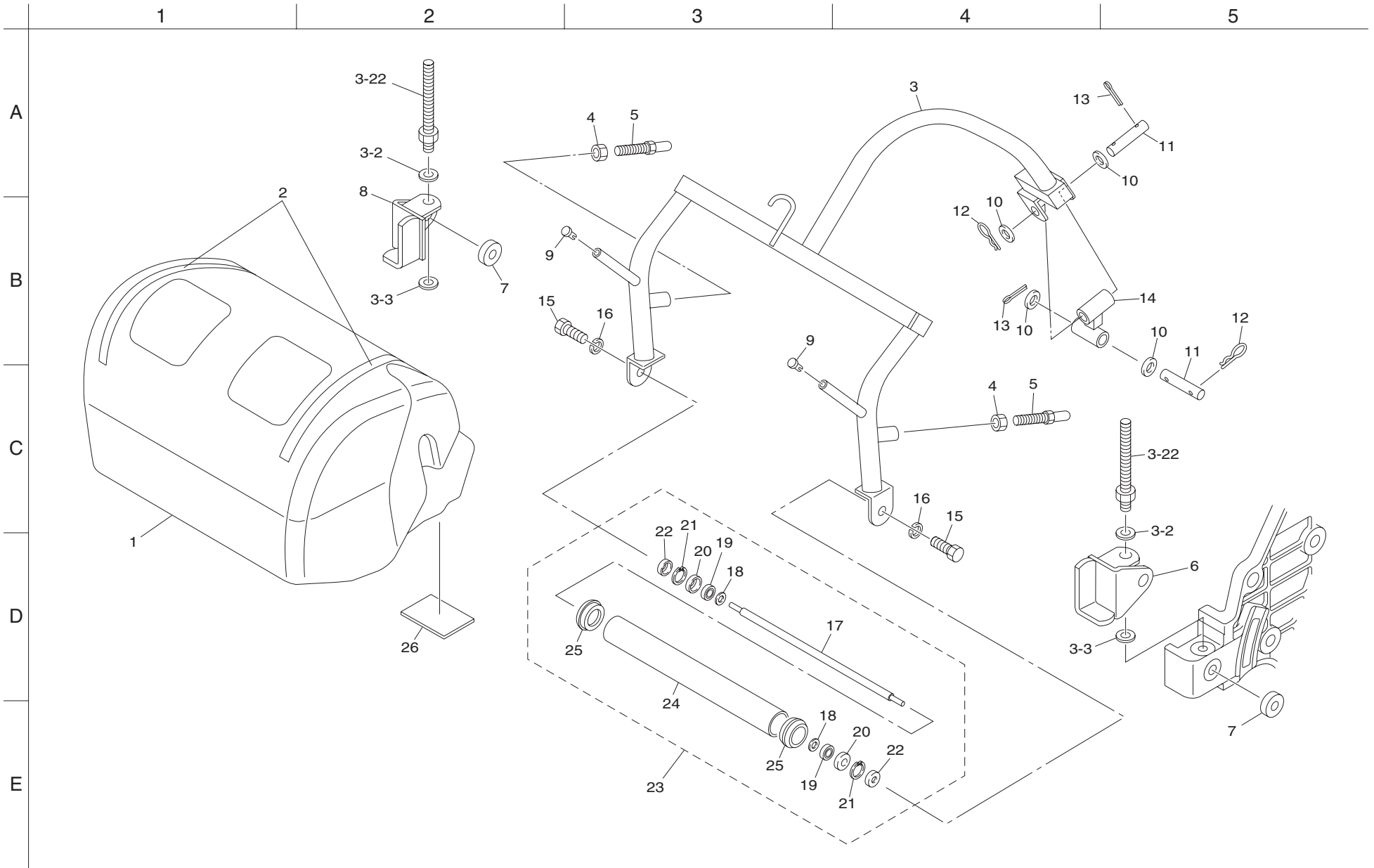
109b Independent Arm Grass Catcher (LM56G)



### 109b Independent Arm Grass Catcher (LM56G)

Catalog No.	Code No.	Part Name	Qty Unit			Pkg/Qty	Catalog No.	Code No.	Part Name	Qty Unit			Pkg/Qty
			LM18	LM56	LM66					LM18	LM56	LM66	
109b-1	LM56GB-2902Z0	IGCA Kit	0	1	0	1							
109b-2	LM54G--0801A0	LM56 IGCA Grass Catcher	0	1	0	1							
109b-3	K4209001230	Alignment Mark 10300	0	2	0	2							
109b-4	LM56G--6801AD	Catcher Arm	0	1	0	1							
109b-5	K0000100202	10 Bolt 20	0	2	0	6							
109b-6	K0100100002	10 Nut	0	2	0	10							
109b-7													
109b-8													
109b-9													
109b-10	K5012313202	2.3 SPCC Washer 1320	0	4	0	6							
109b-11	K6151000152	13 Shaft 76	0	2	0	1							
109b-12	K0331300008	13 Snap Pin	0	2	0	4							
109b-13	K0300025322	2.5 Cotter Pin 32	0	2	0	12							
109b-14	LM56G--6802ZD	Arm Pivot	0	1	0	1							
109b-15	LM56G--6811Z0	IGCA Grooved Roller	0	1	0	1							
109b-16	LM56G--0402ZD	56G Grooved Roller 39	0	1	0	1							
109b-17	LM56G--6806Z2	IGCA Roller Shaft 651	0	1	0	1							
109b-18	K5051015280	1C5191P Washer 1528	0	2	0	6							
109b-19	K0616062020	Bearing 62022NSEC3	0	2	0	2							
109b-20	K0861000030	Oil Seal 6202	0	2	0	2							
109b-21	K0402042001	Stop Ring R42	0	2	0	2							
109b-22	K0861000020	Oil Seal TA 1542.38	0	2	0	2							
109b-23	LM54G--0810B0	IGCA Smooth Roller	0	1	0	1							
109b-24	K6226000100	55 Roller Pipe 60560	0	1	0	1							
109b-25	LM54GA-0812A0	Roller Housing 60	0	2	0	2							
109b-26	K6131000060	Roller Shaft 651	0	1	0	1							
109b-27	K1310000060	Cap 12.7	0	2	0	2							
109b-28	K0200100002	10S Washer	0	2	0	20							
109b-29	K4201000110	Baroness Logo Sticker	0	1	0	1							
109b-30	LM18G--6808Z2	Arm Stopper	0	2	0	2							
109b-31	LM18G--6807Z2	Right Stopper Bracket	0	1	0	1							
109b-32	K6212000022	8.5 STKM Collar 175	0	2	0	2							
109b-33	LM18G--6806Z2	Left Stopper Bracket	0	1	0	1							
109b-34	LM315GB0726A0	Abrasion Resistant Plate	0	2	0	2							

109c Independent Arm Grass Catcher (LM18G)

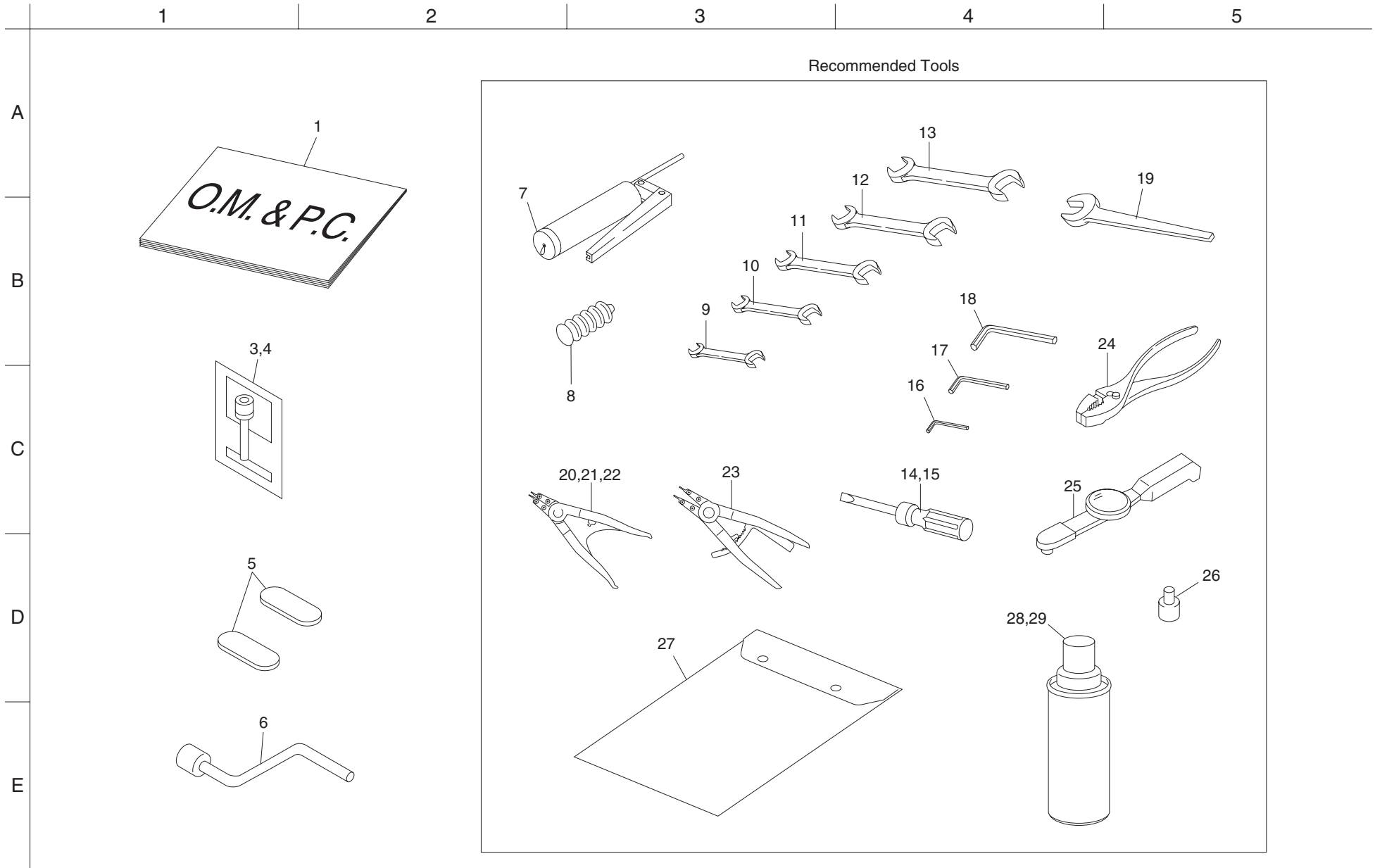


### 109c Independent Arm Grass Catcher (LM18G)

Catalog No.	Code No.	Part Name	Qty Unit			Pkg/Qty	Catalog No.	Code No.	Part Name	Qty Unit			Pkg/Qty
			LM18	LM56	LM66					LM18	LM56	LM66	
109c-1	LM18G--0801Z0	LM18G Grass Catcher	1	0	0	1							
109c-2	K4209001230	Alignment Mark 10300	2	0	0	1							
109c-3	LM18G--6801ZD	Catcher Arm	1	0	0	1							
109c-4	K0100100002	10 Nut	2	0	0	10							
109c-5	LM18G--6808Z2	Arm Stopper	2	0	0	2							
109c-6	LM18G--6806Z2	Left Stopper Bracket	1	0	0	1							
109c-7	K6212000022	8.5 STKM Collar 175	2	0	0	2							
109c-8	LM18G--6807Z2	Right Stopper Bracket	1	0	0	1							
109c-9	K1310000060	Cap 12.7	2	0	0	2							
109c-10	K5012313202	2.3 SPCC Washer 1320	4	0	0	6							
109c-11	K6151000152	13 Shaft 76	2	0	0	1							
109c-12	K0331300008	13 Snap Pin	2	0	0	4							
109c-13	K0300025322	2.5 Cotter Pin 32	2	0	0	12							
109c-14	LM18G--6805ZD	Arm Pivot	1	0	0	1							
109c-15	K0000100202	10 Bolt 20	2	0	0	6							
109c-16	K0200100002	10S Washer	2	0	0	20							
109c-17	LM18G--6803Z0	Roller Shaft 551	1	0	0	1							
109c-18	K5051015280	1C5191P Washer 1528	2	0	0	6							
109c-19	K0616062020	Bearing 62022NSEC3	2	0	0	2							
109c-20	K0861000030	Oil Seal 6202	2	0	0	2							
109c-21	K0402042001	Stop Ring R42	2	0	0	2							
109c-22	K0861000020	Oil Seal TA 1542.38	2	0	0	2							
109c-23	LM18G--2903Z0	60 Roller 490Ass'y	1	0	0	1							
109c-24	LM18G--6804Z0	55 Roller Pipe 60460	1	0	0	1							
109c-25	LM54GA-0812A0	Roller Housing 60	2	0	0	2							
109c-26	LM315GB0726A0	Abrasion Resistant Plate	2	0	0	2							



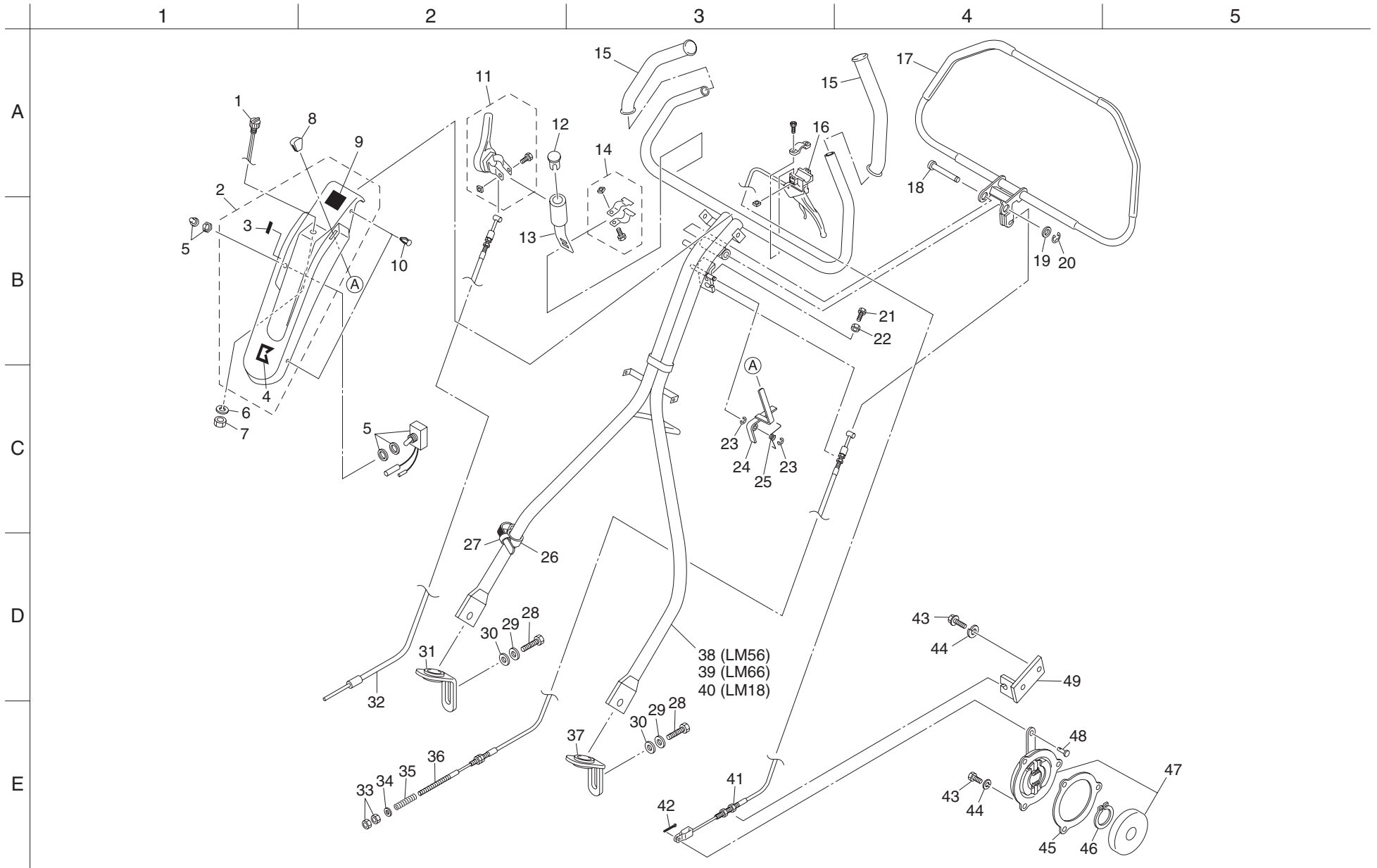
112a Accessories & Tools



## 112a Accessories & Tools

Catalog No.	Code No.	Part Name	Qty Unit			Pkg/Qty	Catalog No.	Code No.	Part Name	Qty Unit			Pkg/Qty
			LM18	LM56	LM66					LM18	LM56	LM66	
112a-1	750101-79	LM56G Owner's Operating Manual & Parts Catalog	1	1	1	1							
112a-2													
112a-3	R2ZZ-99901-85	EX13 Operation Manual	1	1	1	1							
112a-4	R277-90301-H0	Accessory tool kit	1	1	1	1							
112a-5	K4802000120	0.5 Thickness Gauge	2	2	2	2							
112a-6	K4802000382	Lapping Handle	1	1	1	1							
112a-7	K4850000022	Grease Gun				1							
112a-8	K2931000400	Excelite EP No.2 (400g tube)				20							
112a-9		7×8 Spanner											
112a-10		10×12 Spanner											
112a-11		13×17 Spanner											
112a-12	K4810190222	19×22 Spanner				1							
112a-13	K4810220242	22×24 Spanner				1							
112a-14		- Screwdriver Through 200											
112a-15		+ - Driver											
112a-16		2 mm Hex. Wrench											
112a-17		4 mm Hex. Wrench											
112a-18		5 mm Hex. Wrench											
112a-19	K4811240002	24 Spanner				1							
112a-20		Stop Ring Pliers ST-1											
112a-21		Stop Ring Pliers ST-2											
112a-22		Stop Ring Pliers RT-2											
112a-23		Stop Ring Pliers RT-2N											
112a-24		Pliers											
112a-25		Torque Wrench 6-60											
112a-26		6.35 Hex. Socket 13											
112a-27		Large Tool Bag											
112a-28	BARONESS-001	Touch-Up Spray Paint -Red-				1							
112a-29	BARONESS-002	Touch-Up Spray Paint -Black-				1							

113a Option (Handle)



### 113a Option (Handle)

Catalog No.	Code No.	Part Name	Qty Unit			Pkg/Qty	Catalog No.	Code No.	Part Name	Qty Unit			Pkg/Qty
			LM18	LM56	LM66					LM18	LM56	LM66	
113a-1	K3662000050	Engine Switch	1	1	1	1	113a-36	K1130120000	Clutch Wire 1200	1	1	1	1
113a-2	LM56GB-2403Z0	Cover, handle with sticker	1	1	1		113a-37	LM55GB-0715E0	Left Handle Adjuster	1	1	1	1
113a-3	K4203001140	ON/OFF Label	1	1	1	2	113a-38	LM56GB-2401ZD	Handle, A lever type 56	0	1	0	
113a-4	K4201000590	"K" Logo	1	1	1	1	113a-39	LM66GB-2401ZD	Handle, A lever type 66	0	0	1	
113a-5	K3662000100	Headlight Switch WD101181	1	1	1	1	113a-40	LM18GB-2401ZD	Handle, A lever type 18	1	0	0	
113a-6	K0200080002	8S Washer	1	1	1	30	113a-41	K1120136900	Brake Wire 1369	1	1	1	1
113a-7	K0100080002	8 Nut	1	1	1	12	113a-42	K0300020122	2 Cotter Pin 12	2	2	2	20
113a-8	K1320000130	Lever Cap	1	1	1	1	113a-43	K0000060152	6 Bolt 15	5	5	5	10
113a-9	K4205001610	Operator Warning Label	1	1	1	1	113a-44	K0200060002	6S Washer	5	5	5	30
113a-10	K4021000010	Anchor Clip 7.5	4	4	4	4	113a-45	K4019000020	Brake Cover Packing	1	1	1	1
113a-11	K1203521000	Throttle Lever E352100	1	1	1		113a-46	K0401014001	Stop Ring S14	1	1	1	6
113a-12	K1310000060	Cap, 12.7	1	1	1		113a-47	K1720000150	Brake Ass'y 62	1	1	1	1
113a-13	LM56GB-2402ZD	Bracket, throttle lever	1	1	1		113a-48	K6030050122	5 Flat Head Pin 12	2	2	2	2
113a-14	K9240000040	Fitting Comp, 22	1	1	1		113a-49	LM56G--1102Z2	Wire Mounting Bracket	1	1	1	1
113a-15	K1300000250	22 Handle Grip 256	2	2	2	1							
113a-16	K1211380040	Clutch Lever E138004	1	1	1	1							
113a-17	LM56G--7804AD	Clutch Lever	1	1	1	1							
113a-18	LM56G--7805Z2	Clutch Lever Shaft	1	1	1	1							
113a-19	K5051016240	1C5191P Washer 1624	1	1	1	3							
113a-20	K0400012002	Stop Ring E12	1	1	1	6							
113a-21	K0000060402	6 Bolt 40	1	1	1	6							
113a-22	K0100060002	6 Nut	1	1	1	12							
113a-23	K0400006002	Stop Ring E6	2	2	2	10							
113a-24	LM56G--7815ZD	Safety Lock Lever	1	1	1	1							
113a-25	K1050000078	1.8 Lock Spring 11.6	1	1	1	1							
113a-26	K4241000010	Nylon Band 140	3	3	3	4							
113a-27	K4241000070	Urethane Tube 7	3	3	3	6							
113a-28	K0010100252	10 Heat-Treated Bolt 25	2	2	2	2							
113a-29	K0213100002	10 Disc Spring Washer 1H	2	2	2	20							
113a-30	K5000100002	10 Washer	2	2	2	20							
113a-31	LM55GB-0716E0	Right Handle Adjuster	1	1	1	1							
113a-32	K1110117000	Wire, throttle 1170	1	1	1	1							
113a-33	K0100080002	8 Nut	2	2	2	12							
113a-34	K5000080002	8 Washer	1	1	1	12							
113a-35	K100000082D	2.6 Compression Spring 17.270	1	1	1	1							

# BARONESS®

BEVATTNINGSTEKNIK AB  
Helsingborgsvägen 578, Varalöv  
262 96 ÄNGELHOLM, SWEDEN

Telefon: +46 431 22250  
Email : [info@bevattningsteknik.se](mailto:info@bevattningsteknik.se) eller [philip@bevattningsteknik.se](mailto:philip@bevattningsteknik.se)  
[www.bevattningsteknik.se](http://www.bevattningsteknik.se)